

STR-D565/D665

SERVICE MANUAL

AEP Model
UK Model
Australian Model
STR-D565/D665
E Model
STR-D665

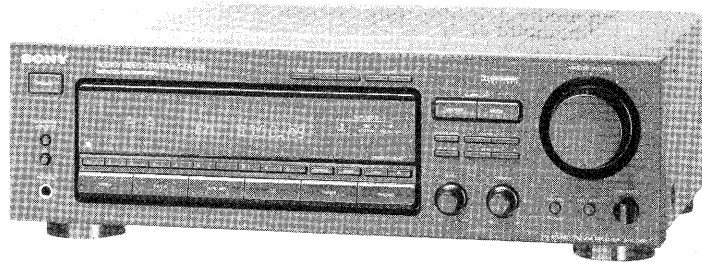


Photo : STR-D665 : E model

SPECIFICATIONS

Amplifier section

Power Output

Stereo mode (DIN 1 kHz)
STR-D665:
Except E model :
90 + 90 W/4 ohms
E model :
80 + 80 W/8 ohms
STR-D565:
70 + 70 W/4 ohms (Except AUS)
65 + 65 W/8 ohms (AUS)

Surround mode (1 kHz, THD 0.9 %)

Front:
STR-D665:
Except E model :
60 + 60 W/4 ohms
E model :
50 W/ch/8 ohms
STR-D565 :
AEP, UK, IT, G model :
40 + 40W/4 ohms
AUS model :
40W/ch/8 ohms

Center:

STR-D665:
Except E model :
60 W/4 ohms
E model :
50 W/8 ohms
STR-D565 :
AEP, UK, IT, G model :
40W/4 ohms
AUS model :
40W/8 ohms

(only in the DOLBY
SUR mode)

Rear:

STR-D665: 30 W/4 ohms
STR-D565: 20 W/4 ohms

Frequency response PHONO: RIAA
equalization curve
±0.5 dB
CD, TAPE/MD, VIDEO:
10 Hz - 50 kHz ±1 dB

Inputs

	Sensitivity	Impedance	S/N (weighting network, input level)
PHONO (MM)	2.5 mV	50 kilohms	74 dB 72 dB* (A, 2.5 mV)
CD	STR-D665: 300 mV STR-D565: 350 mV	50 kilohms	82 dB 82 dB* (A, 250 mV)
TAPE/ MD, TV/ LD, VIDEO	STR-D665: 200 mV STR-D565: 250 mV		

Outputs

REC OUT VIDEO
(AUDIO) OUT:
Voltage 250 mV,
Impedance 10 kilohms
MIX AUDIO OUT (STR-
D665 only)
Voltage: 2 V
Impedance: 10 kilohms

PHONES: Accepts low
and high impedance
headphones

Muting - 20 dB

BASS BOOST +10 dB at 70 Hz

TONE ±8 dB at 100 Hz and
10 kHz

FM tuner section

Tuning range 87.5 - 108.0 MHz

Antenna terminals Except E model :
75 ohms, unbalanced
E model :
300 ohms, balanced

Sensitivity Mono: 18.3 dBf, 2.2 μV/
75 ohms
Stereo: 38.3 dBf, 22.5 μV/
75 ohms

Usable sensitivity 11.2 dBf, 1 μV/75 ohms
(IHF)

S/N Mono: 76 dB
Stereo: 70 dB

**Harmonic distortion at
1 kHz** Mono: 0.3 %
Stereo: 0.5 %

— Continued on next page —

• Abbreviation

G : German model.
IT : Italian model.
SP : Singapore model.
AUS : Australian model.

• For detailed Malaysia model,
refer to SP model.

FM STEREO FM-AM RECEIVER
SONY®



Separation	45 dB at 1 kHz
Frequency response	30 Hz - 15 kHz ± 0.5 dB
Selectivity	60 dB at 400 kHz

AM tuner section

Tuning range	531 - 1602 kHz
Antenna	Loop antenna
Usable sensitivity	50 dB/m (at 999 kHz)
S/N	54 dB (at 50 mV/m)
Harmonic distortion	0.5 % (50 mV/m, 400 kHz)
Selectivity	Except E model : 35dB E model : At 9 kHz : 35dB At 10 kHz : 40dB

(E model ONLY)

You can change the AM tuning interval to 9 kHz or 10 kHz. After tuning in any AM station, turn off the receiver. Hold down the PRESET TUNING + button and press the POWER button. All preset stations will be erased when you change the interval. To reset the interval to 10 kHz or 9 kHz, repeat the procedure.

Video section

Inputs	VIDEO, TV/LD: 1 Vp-p 75 ohms
Outputs	VIDEO MONITOR: 1 Vp-p 75 ohms

General

System	Tuner section: PLL quartz-locked digital synthesizer system Preamplifier section: Low-noise NF type equalizer Power amplifier section: Pure-complimentary SEPP
Power requirements	AEP, UK, IT, G, SP model : 220 - 230 V AC, 50/60 Hz AUS model : 240V AC, 50/60 Hz E model : 120/220/240 V AC, 50/60 Hz
Power consumption	STR-D665: AEP, UK, SP model : 200 W E, AUS model : 170 W STR-D565 : AEP, UK, IT, G, model : 160W AUS model : 140W
AC outlet	AEP, E, IT, G, AUS model : Switched 100W

Dimensions	Except E model : 430 x 135 x 300 mm (17 x 5 3/8 x 11 3/4 inches) E model : 430 x 135 x 295 mm
Mass (Approx.)	STR-D665 : AEP, UK, IT, G, AUS model : 7.0 kg (15 lb 7 oz) E, SP model : 6.9 kg STR-D565 : 6.2kg (13 lb 11 oz)

Supplied accessories	FM wire antenna (1) AM loop antenna (1) Remote commander (remote) (1) Size AA (R6) batteries (2)
----------------------	---

Design and specifications are subject to change without notice.

- Abbreviation
G : German model.
IT : Italian model.
SP : Singapore model.
AUS : Australian model.

- For detailed Malaysia model, refer to SP model.

TABLE OF CONTENTS

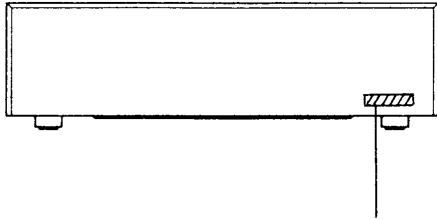
Section	Title	Page
SERVICING NOTE		3
TEST MODE		3
SECTION 1. GENERAL		4
SECTION 2. DISASSEMBLY		
2-1. Case and Front Panel		5
2-2. Display and Tone Board		5
2-3. Back Panel		6
2-4. SP SW Board		6
2-5. Main Board		7
2-6. Motor VR, VOL-Main and Video-Main Board		7
SECTION 3. DIAGRAMS		
3-1. Circuit Boards Location		8
3-2. Printed Wiring Board — Main Section —		9
3-3. Schematic Diagram — Main Section —		13
3-4. Printed Wiring Board — Display Section —		17
3-5. Schematic Diagram — Display Section —		21
3-6. IC Block Diagrams		24
3-7. IC Pin Function		
• IC201 (μ PD78044GF-126-3B9)		26
SECTION 4. EXPLODED VIEWS		
4-1. Case and Front Panel Section		28
4-2. Chassis Section		29
4-3. Main Board Section		30
SECTION 5. ELECTRICAL PARTS LIST		31

SAFETY-RELATED COMPONENT WARNING !!

COMPONENTS IDENTIFIED BY MARK Δ OR DOTTED LINE WITH MARK Δ ON THE SCHEMATIC DIAGRAMS AND IN THE PARTS LIST ARE CRITICAL TO SAFE OPERATION. REPLACE THESE COMPONENTS WITH SONY PARTS WHOSE PART NUMBERS APPEAR AS SHOWN IN THIS MANUAL OR IN SUPPLEMENTS PUBLISHED BY SONY.

SERVICE NOTE

MODEL IDENTIFICATION — BACK PANEL —



- 4-972-655-21 : D665 : AEP, G Model
- 4-972-655-31 : D665 : E Model
- 4-972-655-41 : D665 : SP Model
- 4-972-655-51 : D665 : UK Model
- 4-972-655-61 : D665 : AUS Model
- 4-972-658-21 : D565 : AEP, IT, G Model
- 4-972-658-31 : D565 : UK Model
- 4-972-658-41 : D565 : AUS Model

• Abbreviation

- G : German model.
- IT : Italian model.
- SP : Singapore model.
- AUS : Australian model.

- For detailed Malaysia model, refer to SP model.

PROTECT MODE

“PROTECT” will be displayed on the FL display when the amplifier is faulty or when the connectors between boards have disconnected, etc.

In the case of faulty connection, connect all the connectors of the unit again, and turn on the power. The protection will be canceled.

• **How to avoid the “PROTECT” mode disconnecting VOL BOARD**

Short-circuit between MAIN BOARD and TP SV, and turn on the power.

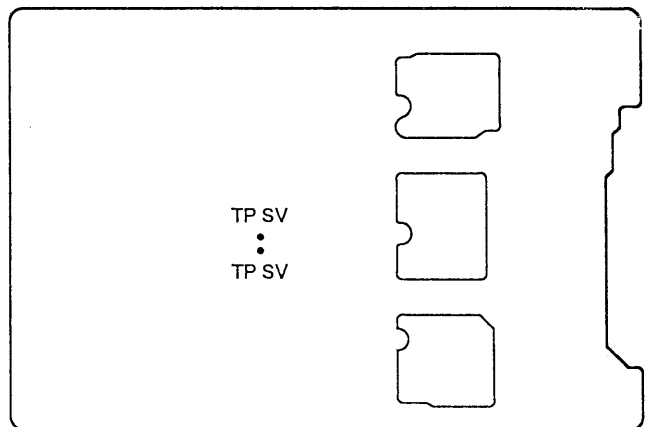
In this case, the circuit of the MAIN BOARD does not operate, but that of the DISPLAY BOARD operates.

Disconnect the connected read line afterwards.

TEST POINT LOCATION :

[MAIN BOARD]

— CONDUCTOR SIDE —



TEST MODE

FL CHECK MODE

1. Turn off the power supply.
2. While pressing preset buttons [6], [7] and [8], turn on the power.
3. All the FL displays light up (Fig. 1.), after one second some light up several times, and “END” will be displayed.
4. Turn off the power.

NOTE : The preset memory will be erased if the FL CHECK MODE is performed. Therefore, note down the memory contents beforehand and set the preset memory again as before after completely this mode.

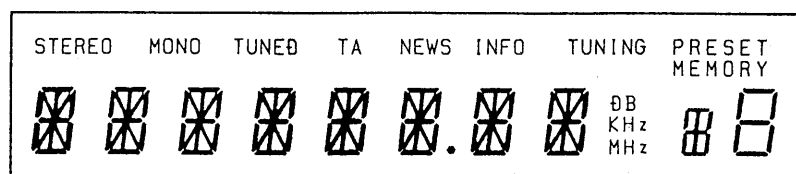
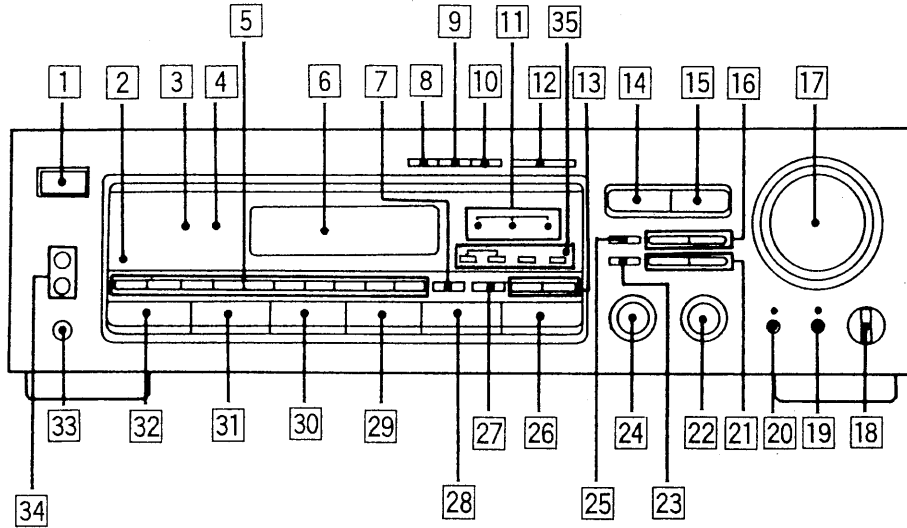


Fig. 1. When All FL Displays are Lit

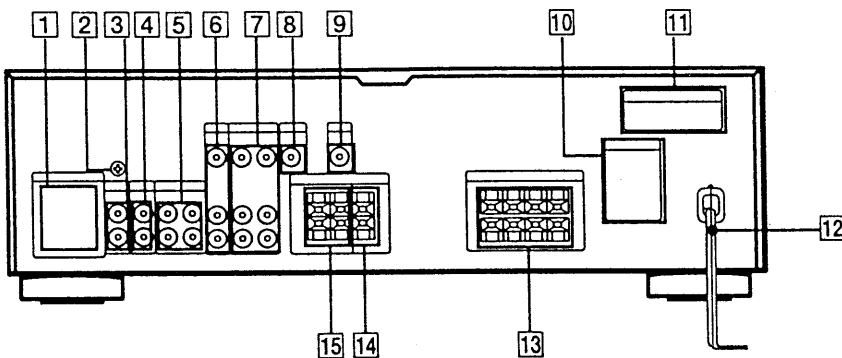
SECTION 1 GENERAL

Front Panel



- | | | |
|-----------------------|----------------------------|----------------------------|
| 1 POWER switch | 13 PRISET TUNING button | 25 CENTER MODE button |
| 2 Remote sensor | 14 SURROUND ON/OFF button | 26 PHONO button |
| 3 VIDEO indicator | 15 SURROUND MODE button | 27 SHIFT button |
| 4 TV/LD indicator | 16 CENTER LEVEL +/- button | 28 TUNER button |
| 5 Numeric buttons | 17 MASTER VOLUME control | 29 CD button |
| 6 Display window | 18 BALANCE control | 30 TAPE/MD button |
| 7 DIRECT button | 19 BASS BOOST button | 31 TV/LD button |
| 8 BAND button | 20 MUTING -20dB button | 32 VIDEO button |
| 9 FM MODE button | 21 REAR LEVEL +/- button | 33 PHONES jack |
| 10 MEMORY button | 22 TREBLE control | 34 SPEAKERS A/B button |
| 11 SUR MODE indicator | 23 DELAY TIME button | 35 RDS buttons |
| 12 TUNING +/- button | 24 BASS control | (for AEP, UK, IT, G model) |

Rear Panel ILLUSTRATION : E model



- | | | |
|---------------------------|---|-------------------------------|
| 1 ANTENNA (AM/FM) | 6 TV/LD | 12 AC power cord |
| 2 \hbar ground terminal | 7 VIDEO | 13 FRONT SPEAKERS (A/B) |
| 3 PHONO | 8 MONITOR | 14 SURROUND SPEAKERS (CENTER) |
| 4 CD | 9 MIX AUDIO OUT (STR-D665 only) | 15 SURROUND SPEAKERS (REAR) |
| 5 TAPE/MD | 10 SWITCHED AC OUTLET (Except for UK model) | |
| | 11 VOLTAGE SELECTOR (for E model) | |

• Abbreviation

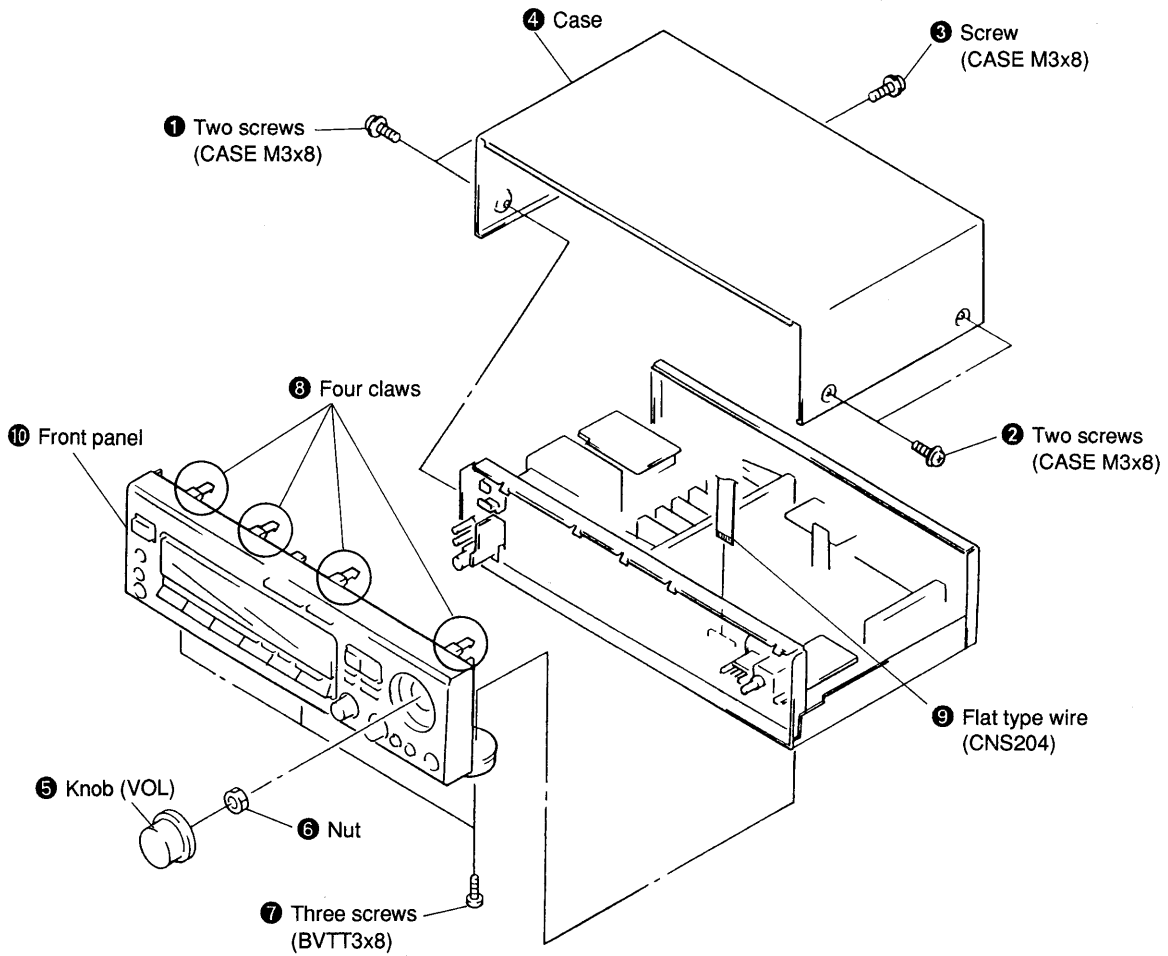
- G : German model.
- IT : Italian model.
- SP : Singapore model.
- AUS : Australian model.

- For detailed Malaysia model, refer to SP model.

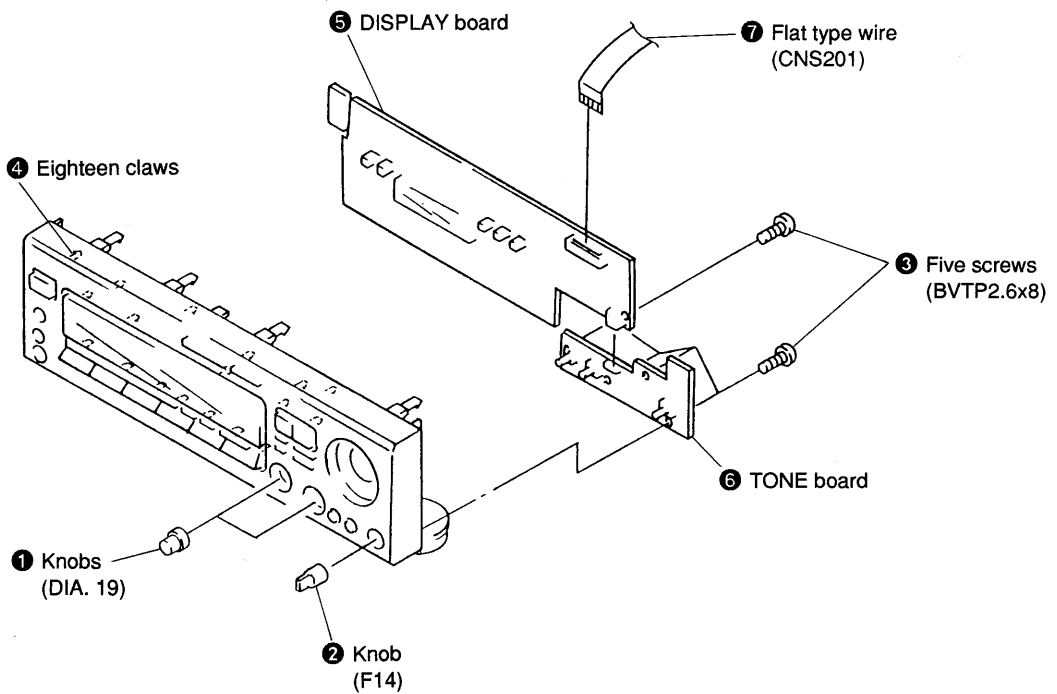
SECTION 2 DISASSEMBLY

Note : Follow the disassembly procedure in the numerical order given.

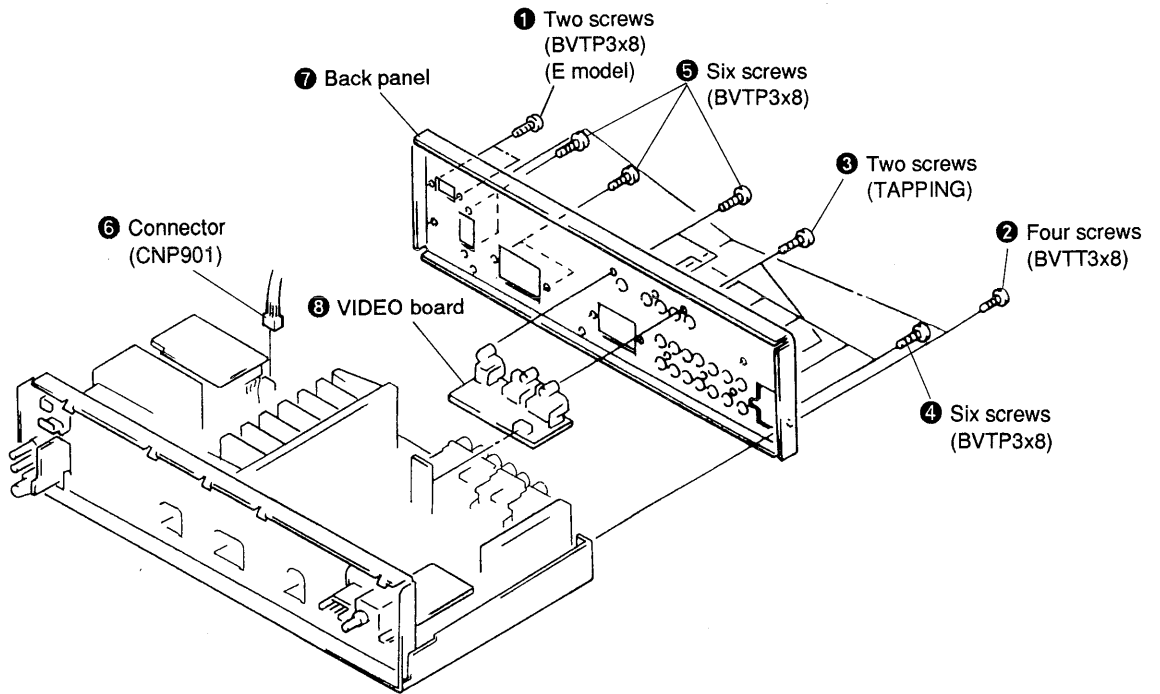
2-1. CASE AND FRONT PANEL



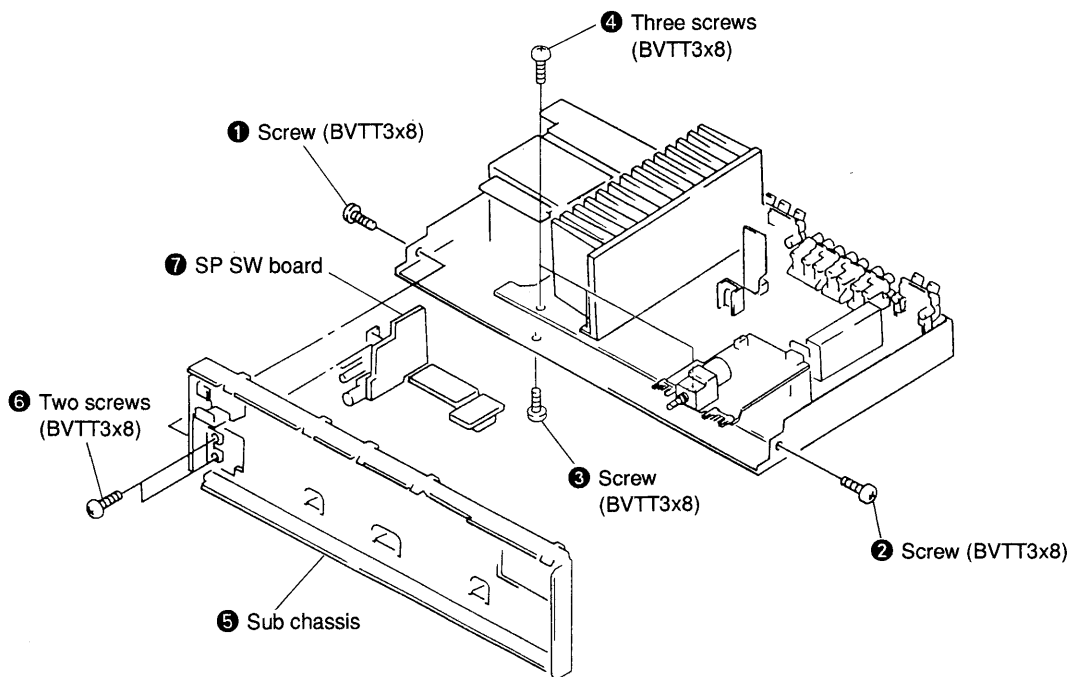
2-2. DISPLAY AND TONE BOARD



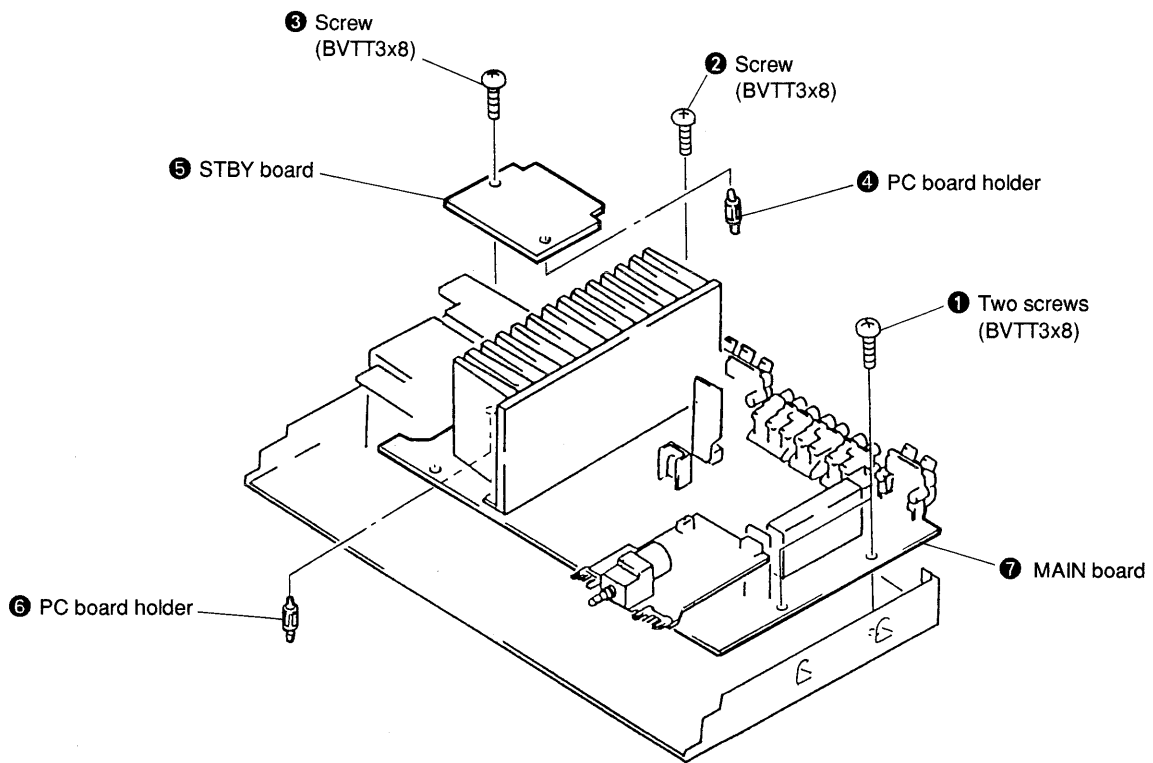
2-3. BACK PANEL



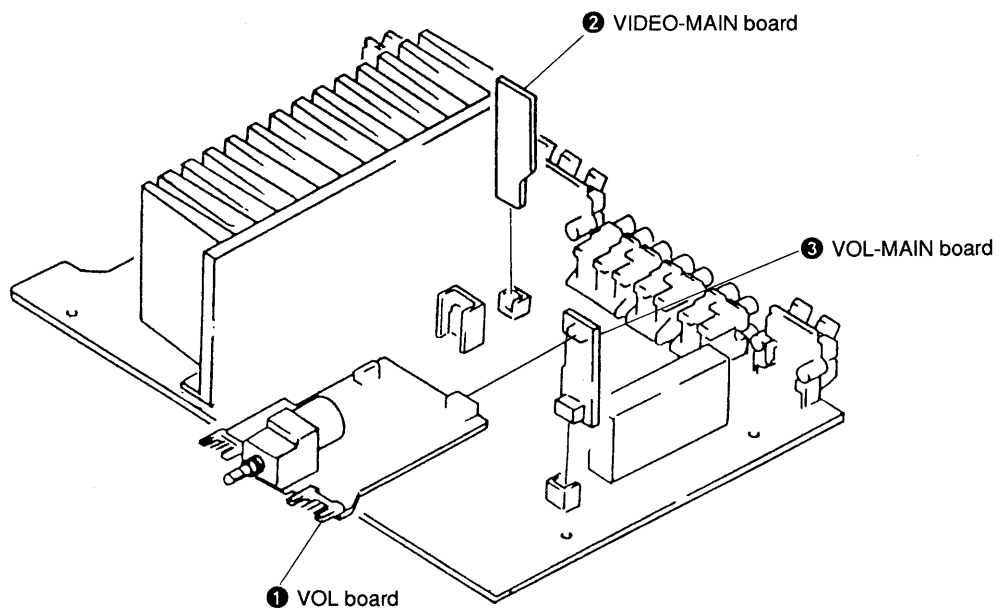
2-4. SP SW BOARD



2-5. MAIN BOARD

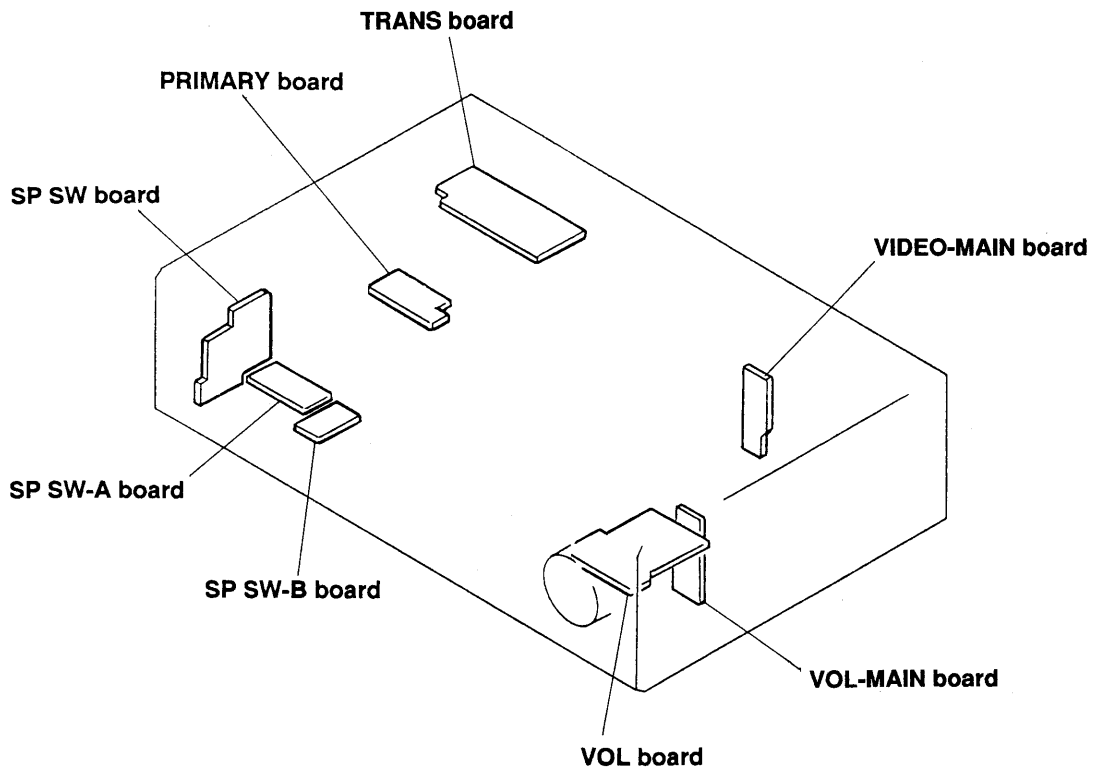
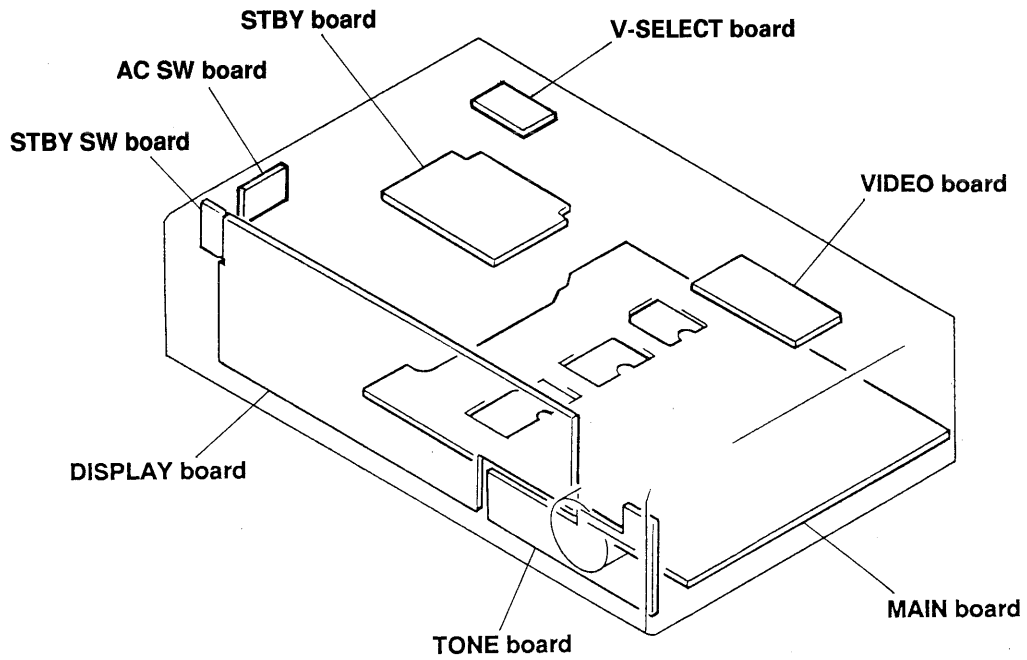


2-6. MOTOR VR, VOL-MAIN AND VIDEO-MAIN BOARD



SECTION 3 DIAGRAMS

3-1. CIRCUIT BOARDS LOCATION



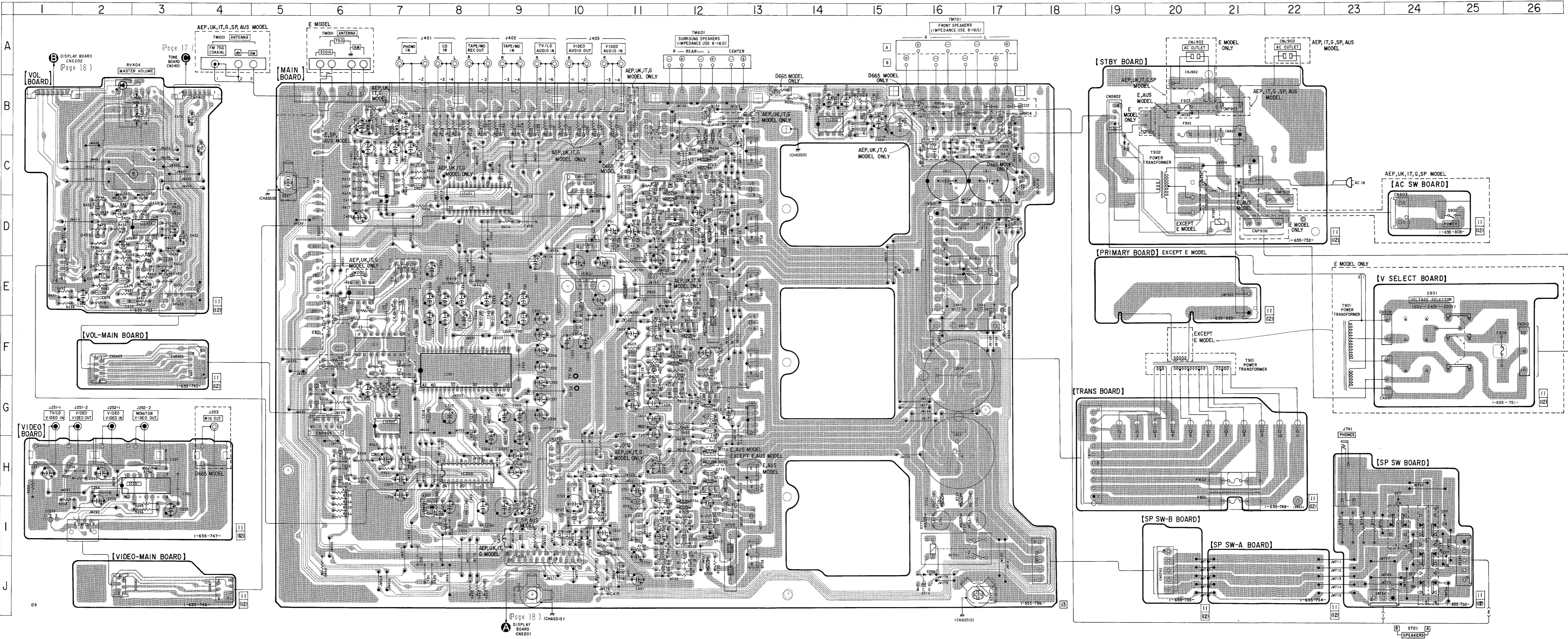
3-2. PRINTED WIRING BOARD — MAIN SECTION —
• See page 8 for Circuit Boards Location.

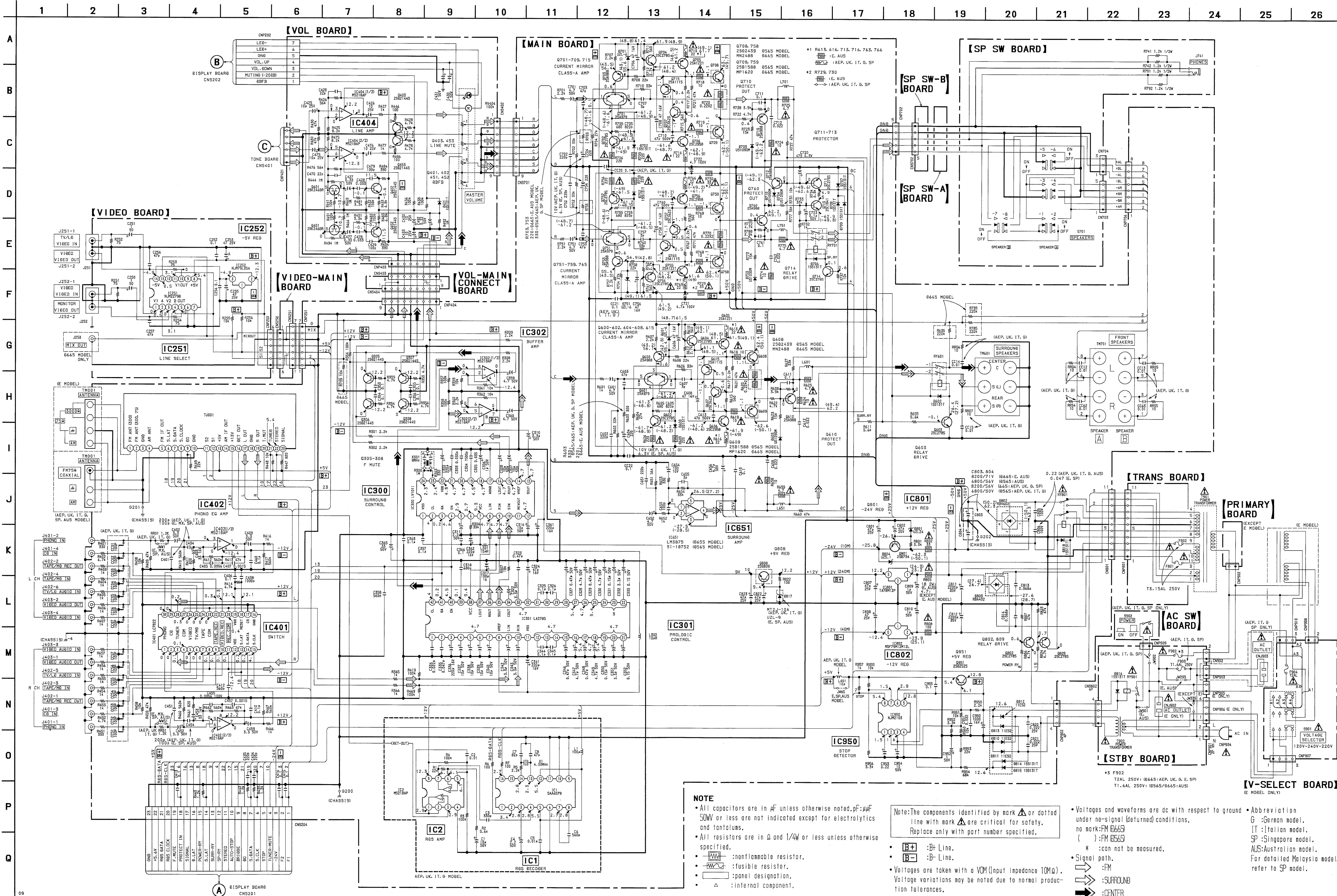
• Semiconductor Location

Ref. No.	Location	Ref. No.	Location
D421	E-1	Q401	E-3
D600	F-11	Q402	E-3
D601	G-11	Q403	D-2
D602	C-11	Q451	E-2
D603	E-11	Q452	E-2
D701	I-11	Q453	D-2
D702	I-11	Q600	G-11
D703	J-11	Q601	F-11
D704	H-10	Q602	F-11
D706	J-16	Q603	C-11
D707	I-10	Q604	G-12
D708	I-10	Q605	G-12
D709	I-10	Q606	E-12
D710	H-10	Q607	F-13
D751	D-11	Q608	G-13
D752	D-12	Q609	E-13
D753	E-12	Q610	E-12
D801	I-10	Q615	G-12
D802	F-16	Q701	I-11
D803	D-17	Q702	H-11
D804	J-10	Q703	I-11
D810	C-17	Q704	I-12
D811	C-17	Q705	I-12
D812	C-17	Q706	H-12
D813	C-17	Q707	I-13
D814	C-16	Q708	J-13
D815	C-16	Q709	H-13
D816	C-19	Q710	J-12
D817	E-10	Q711	I-10
D818	D-17	Q712	H-10
		Q713	I-10
		Q714	J-16
IC1	F-7	Q715	I-12
IC2	E-6	Q751	C-11
IC251	H-3	Q752	C-11
IC252	I-1	Q753	C-11
IC300	H-8	Q754	D-11
IC301	F-8	Q755	D-12
IC302	G-7	Q756	C-12
IC401	C-8	Q757	C-13
IC402	C-7	Q758	D-13
IC404	D-3	Q759	C-13
IC651	G-13	Q760	D-12
IC801	E-10	Q765	C-12
IC802	D-10	Q801	J-11
IC950	B-14	Q802	D-17
		Q808	J-10
Q305	H-6	Q809	F-17
Q306	G-6	Q951	B-15
Q307	G-6		
Q308	H-6		

Note:

- : parts extracted from the component side.
- △ : internal component.
- ▨ : Pattern from the side which enable seeing.
- Abbreviation
 - G : German model.
 - IT : Italian model.
 - SP : Singapore model.
 - AUS : Australian model.
- For detailed Malaysia model, refer to SP model.





NOTE

- All capacitors are in μF unless otherwise noted. μF , μF , μF or less are not indicated except for electrolytics and tantalums.
- All resistors are in Ω and $1/4\text{W}$ or less unless otherwise specified.
- \square : nonflammable resistor.
- \square : fusible resistor.
- \square : panel designation.
- \triangle : internal component.

Note: The components identified by mark \triangle or dotted line with mark \triangle are critical for safety. Replace only with part number specified.

- $\text{B}+$: B+ Line.
- $\text{B}-$: B- Line.
- VOM : Voltmeter (input impedance $10\text{M}\Omega$). Voltage variations may be noted due to normal production tolerances.

- Voltages and waveforms are dc with respect to ground under no-signal (detuned) conditions.
- no mark: FM (6645) () : FM (6653)
- * : can not be measured.
- \rightarrow : Signal path.
- \rightarrow : FM
- \rightarrow : SURROUND
- \rightarrow : CENTER

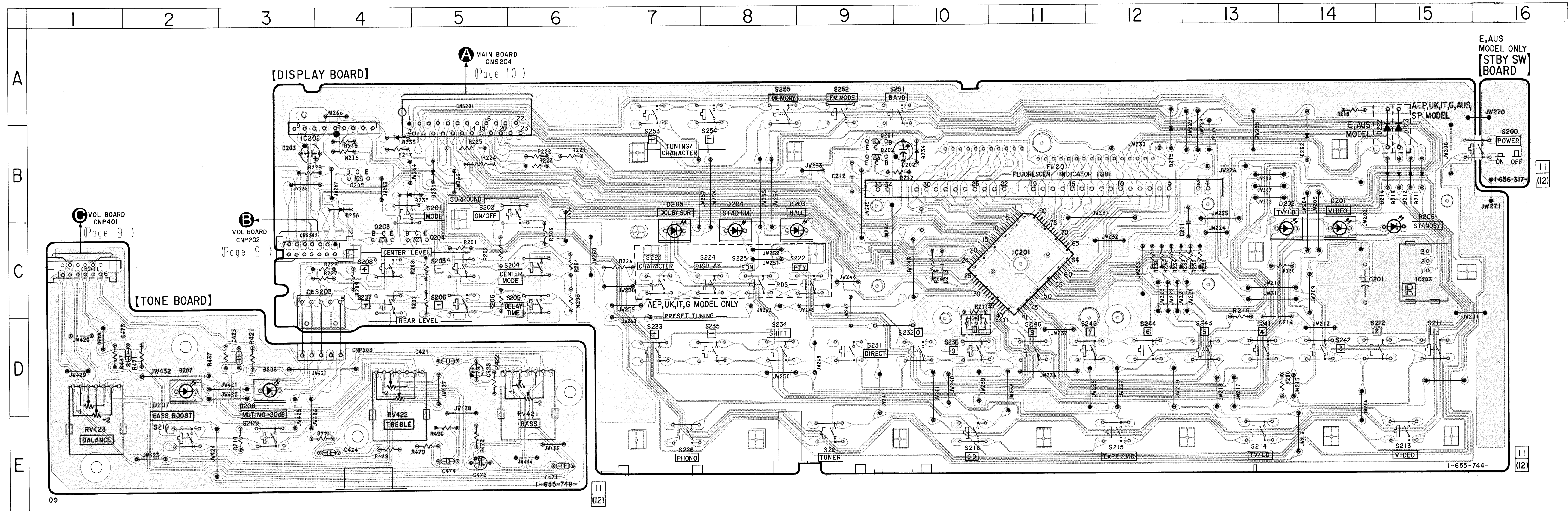
- Abbreviation
- G : German model.
- IT : Italian model.
- SP : Singapore model.
- AUS : Australian model.
- For detailed Malaysia model, refer to SP model.

3-4. PRINTED WIRING BOARD — DISPLAY SECTION —
 • See page 8 for Circuit Boards Location.

• Semiconductor Location

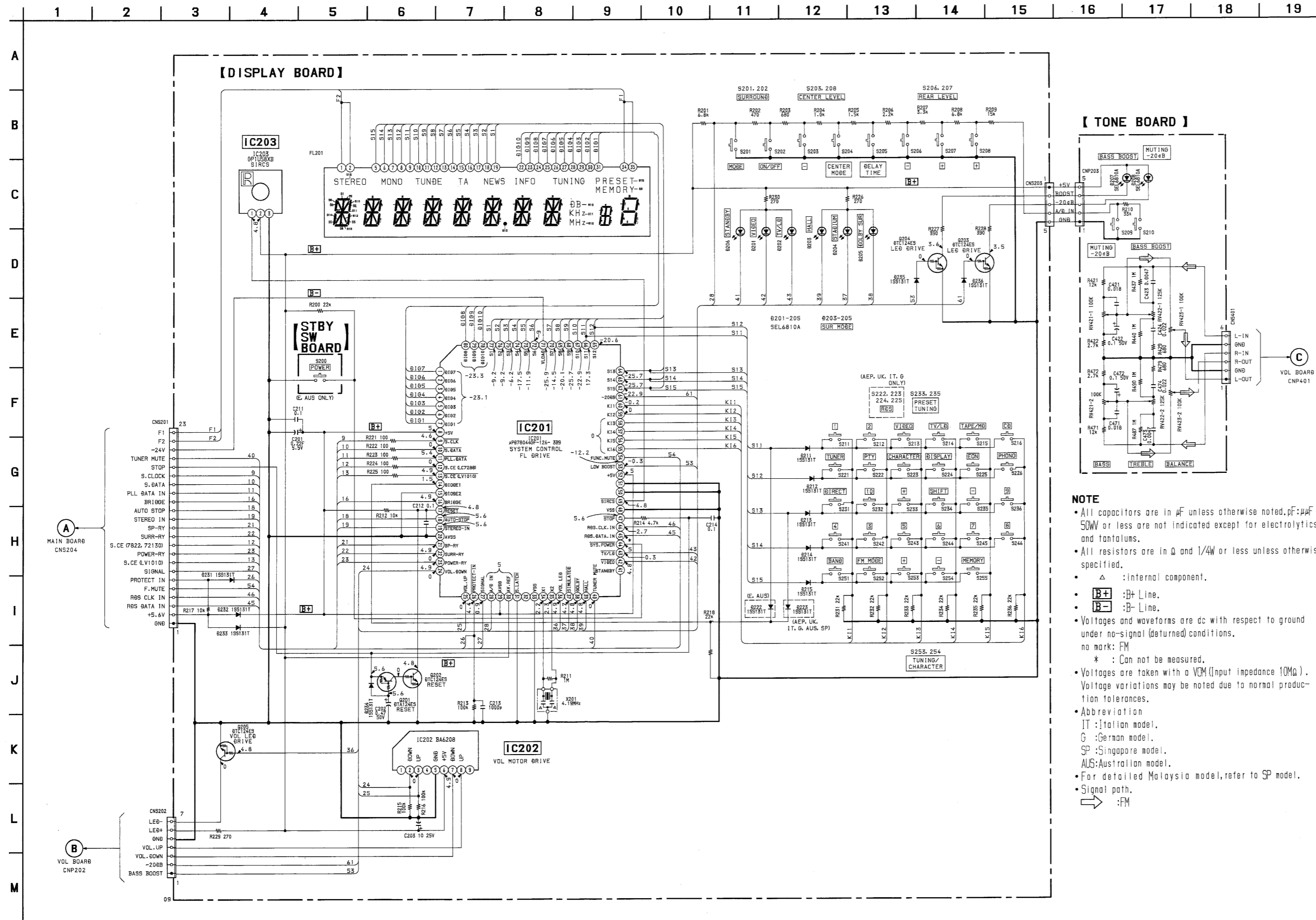
Ref. No.	Location
D201	C-14
D202	C-14
D203	C-9
D204	C-8
D205	C-7
D206	C-15
D207	D-2
D208	D-3
D211	B-15
D212	B-15
D213	B-15
D214	B-15
D215	B-12
D222	B-15
D223	B-15
D231	B-5
D232	B-14
D233	B-4
D234	B-10
D235	B-5
D236	B-4
IC201	C-11
IC202	B-3
IC203	C-15
Q201	B-9
Q202	B-9
Q203	C-4
Q204	C-5
Q205	B-4

Note:
 • — : parts extracted from the component side.
 • — : parts extracted from the conductor side.
 • Δ : internal component.
 • □ : Pattern from the side which enable seeing.
 • Abbreviation
 G : German model.
 IT : Italian model.
 SP : Singapore model.
 AUS : Australian model.
 • For detailed Malaysia model, refer to SP model.



3-5. SCHEMATIC DIAGRAM — DISPLAY SECTION —

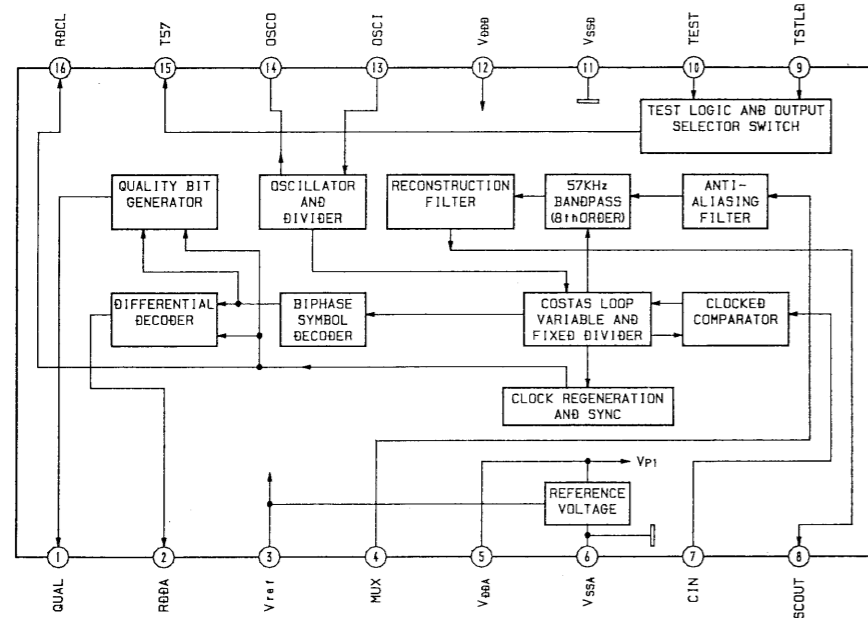
- See page 24 for IC Block Diagrams.
- See page 26 for IC Pin Function. (IC201)



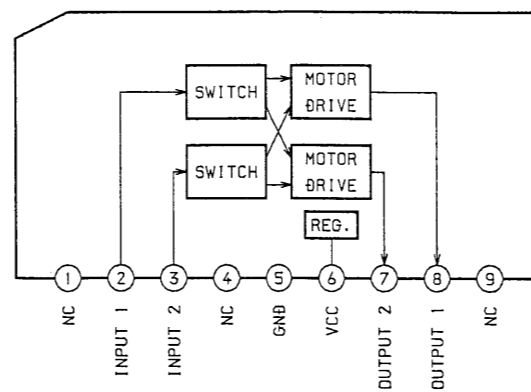
- NOTE**
- All capacitors are in μF unless otherwise noted, pF: μF 50W or less are not indicated except for electrolytics and tantalums.
 - All resistors are in Ω and $1/4\text{W}$ or less unless otherwise specified.
 - Δ : internal component.
 - $\text{B}+$: B+ Line.
 - $\text{B}-$: B- Line.
 - Voltages and waveforms are dc with respect to ground under no-signal (detuned) conditions.
 - no mark: FM
 - * : Can not be measured.
 - Voltages are taken with a VOM (input impedance $10\text{M}\Omega$). Voltage variations may be noted due to normal production tolerances.
 - Abbreviation
IT : Italian model.
G : German model.
SP : Singapore model.
AUS : Australian model.
 - For detailed Malaysia model, refer to SP model.
 - Signal path
 \Rightarrow : FM

3-6. IC BLOCK DIAGRAMS

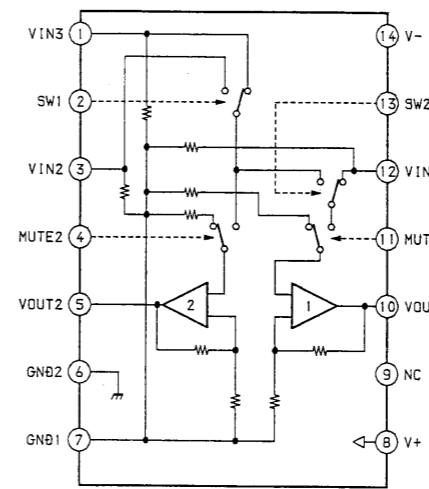
IC1 SAA6579



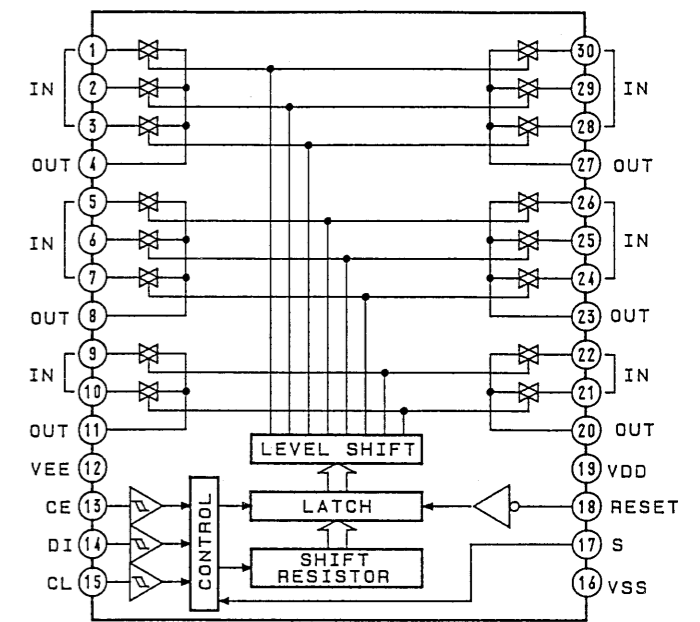
IC202 BA6208



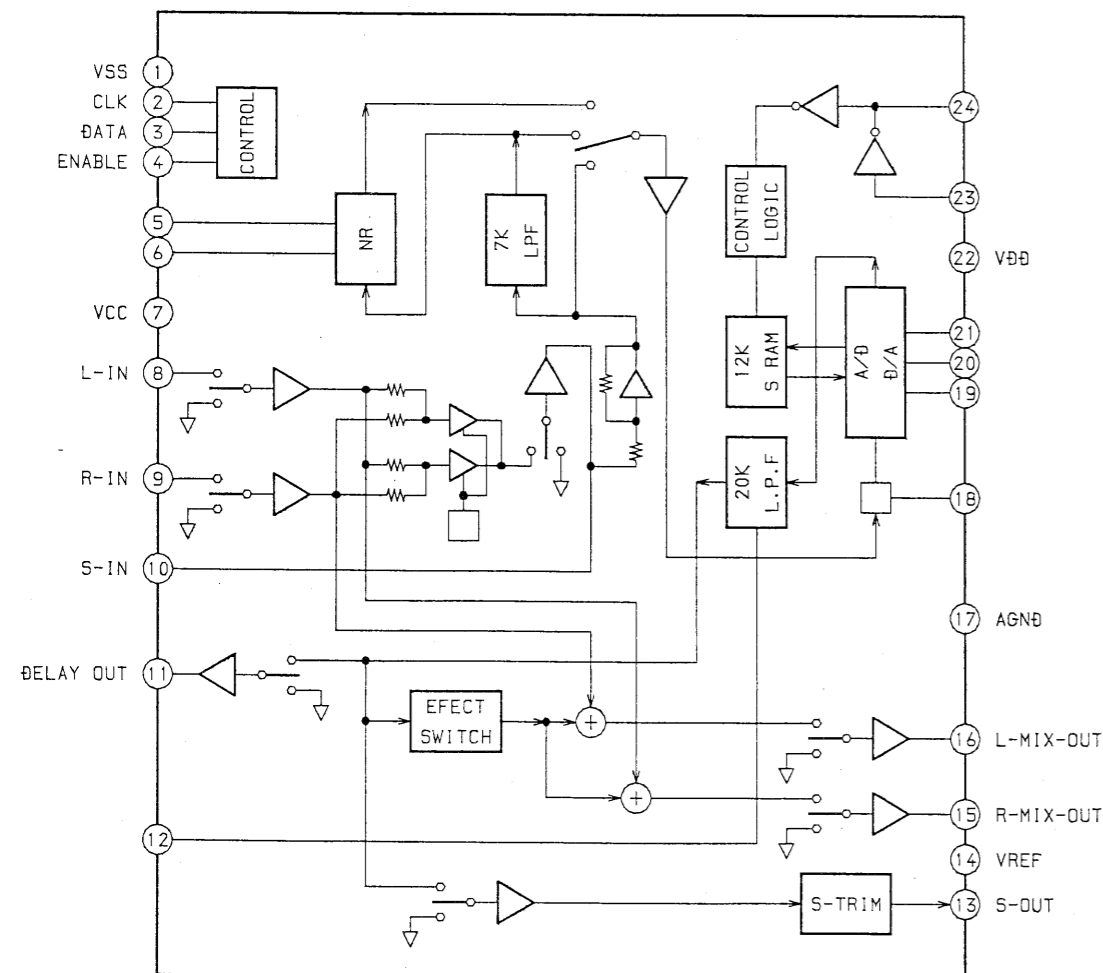
IC251 NJM2279D



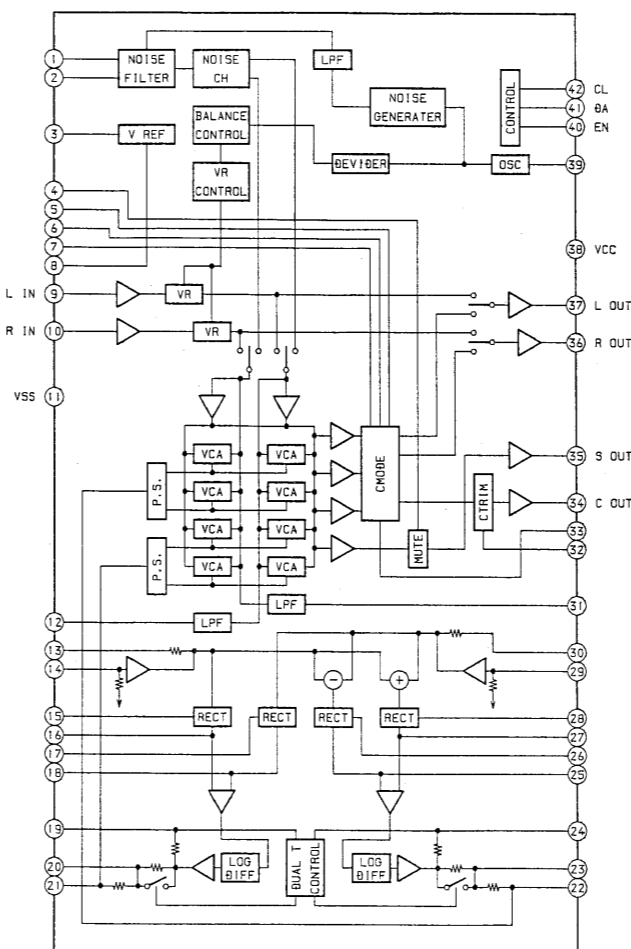
IC401 LC7822



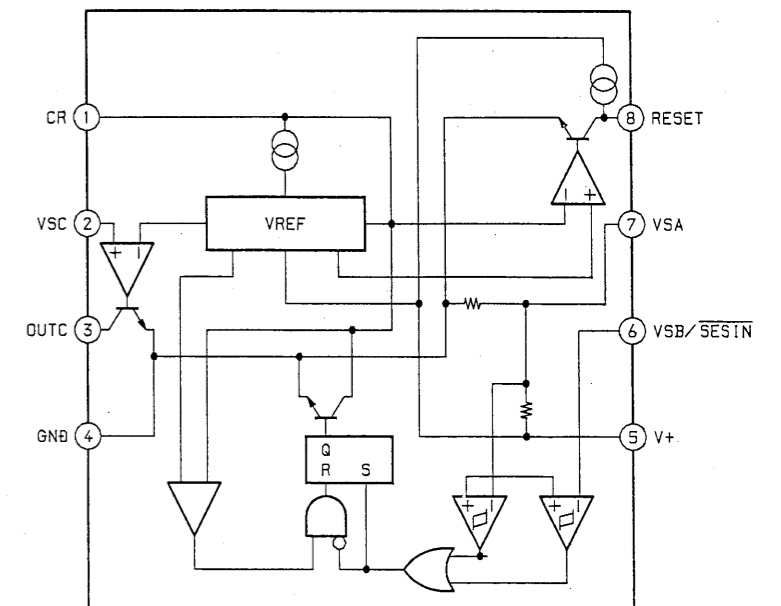
IC300 LV1011



IC301 LA2785



IC950 NJM2103



3-7. IC PIN FUNCTIONS

• IC201 μ PD78044GF-126-3B9

Pin No.	Pin Name	I/O	Function
1	DIG 7	O	Digit 7
2	DIG 6	O	Digit 6
3	DIG 5	O	Digit 5
4	DIG 4	O	Digit 4
5	DIG 3	O	Digit 3
6	DIG 2	O	Digit 2
7	DIG 1	O	Digit 1
8	+5V	—	Vdd
9	$\overline{S. CLK}$	O	Serial clock (normal high)
10	$\overline{S. DATA}$	O	Serial data
11	$\overline{PLL. DATA}$	I	PLL data in
12	S. CE (LC7288)	O	Serial CE (7822, 72130)
13	$\overline{S. CE}$ (LV1011)	O	Serial CE (LV1011)
14	DIODE 1	I	Diode 1
15	DIODE 2	I	GND
16	BRIDGE	O	Bridgeable
17	\overline{RESET}	I	Reset
18	$\overline{AUTO-STOP}$	I	Auto stop in
19	$\overline{STEREO-IN}$	I	Stereo in
20	AVSS	—	GND
21	SP-RY	O	Speaker relay
22	SURR-RY	O	Surround relay
23	POWER-RY	O	Power relay
24	VOL. DOWN	O	Volume down
25	VOL. UP	O	Volume up
26	$\overline{PROTECT-IN}$	I	Protector in
27	SIGNAL	I	Signal meter
28	A/D IN	I	A/D converter analog in
29	AVDD	—	A/D converter power supply terminal (+5V)
30	AV. REF	—	A/D converter reference voltage (+5V)
31	$\overline{S. LATCH}$	—	GND
32			Open
33	VSS	—	GND
34	X1	—	System clock (4.19 MHz)
35	X2	—	System clock (4.19 MHz)
36	VOL LED	O	Volume LED
37	$\overline{SIMULATED}$	O	Simulated LED
38	\overline{DOLBY}	O	Dolby
39	\overline{HALL}	O	Hall
40	TUNER MUTE	O	Tuner mute

Pin No.	Pin Name	I/O	Function
41	STANDBY	O	Standby LED (not used open)
42	$\overline{\text{VIDEO}}$	O	Video LED
43	$\overline{\text{TV/LD}}$	O	TV/LD LED
44	$\overline{\text{SYS. POWER}}$	I	System power in
45	RDS. DATA. IN	I	RDS data in (not used open)
46	RDS. CLK. IN	I	RDS clock in (not used open)
47	$\overline{\text{STOP}}$	I	Stop
48	VSS	–	GND
49	$\overline{\text{SIRCS}}$	I	Sircs input
50		–	GND
51		–	GND
52	+5V	–	Vdd
53	LOW BOOST	O	Low boost on/off
54	FUNC MUTE	O	Function mute
55	KI6	I	Key in 6
56	KI5	I	Key in 5
57	KI4	I	Key in 4
58	KI3	I	Key in 3
59	KI2	I	Key in 2
60	KI1	I	Key in 1
61	–20 dB	O	–20 dB mute
62	S15	O	Segment 15/key out 1
63	S14	O	Segment 14/key out 2
64	S13	O	Segment 13/key out 3
65	S12	O	Segment 12/key out 4
66	S11	O	Segment 11/key out 5
67	S10	O	Segment 10
68	S9	O	Segment 9
69	S8	O	Segment 8
70	S7	O	Segment 7
71	VLOAD	–	FIP pull down resistor
72	S6	O	Segment 6
73	S5	O	Segment 5
74	S4	O	Segment 4
75	S3	O	Segment 3
76	S2	O	Segment 2
77	S1	O	Segment 1
78	DIG 10	O	Digit 10
79	DIG 9	O	Digit 9
80	DIG 8	O	Digit 8

SECTION 4 EXPLODED VIEWS

NOTE:

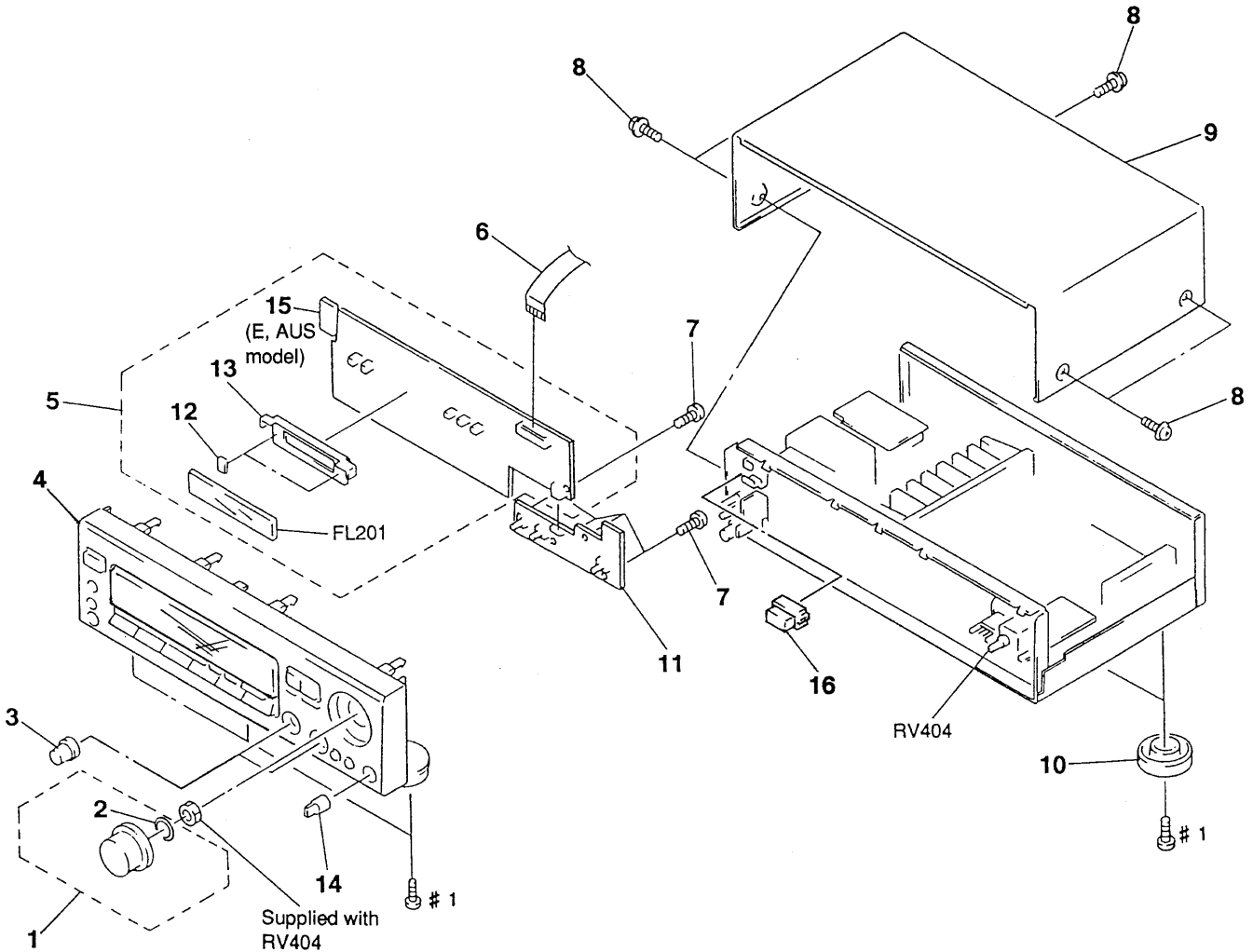
- Items marked “ * ” are not stocked since they are seldom required for routine service. Some delay should be anticipated when ordering these items.
- The mechanical parts with no reference number in the exploded views are not supplied.
- Hardware (# mark) list and accessories and packing materials are given in the last of this parts list.

• Abbreviation

- G : German model
- SP : Singapore model
- AUS : Australian model
- For detailed Malaysia model, refer to SP model

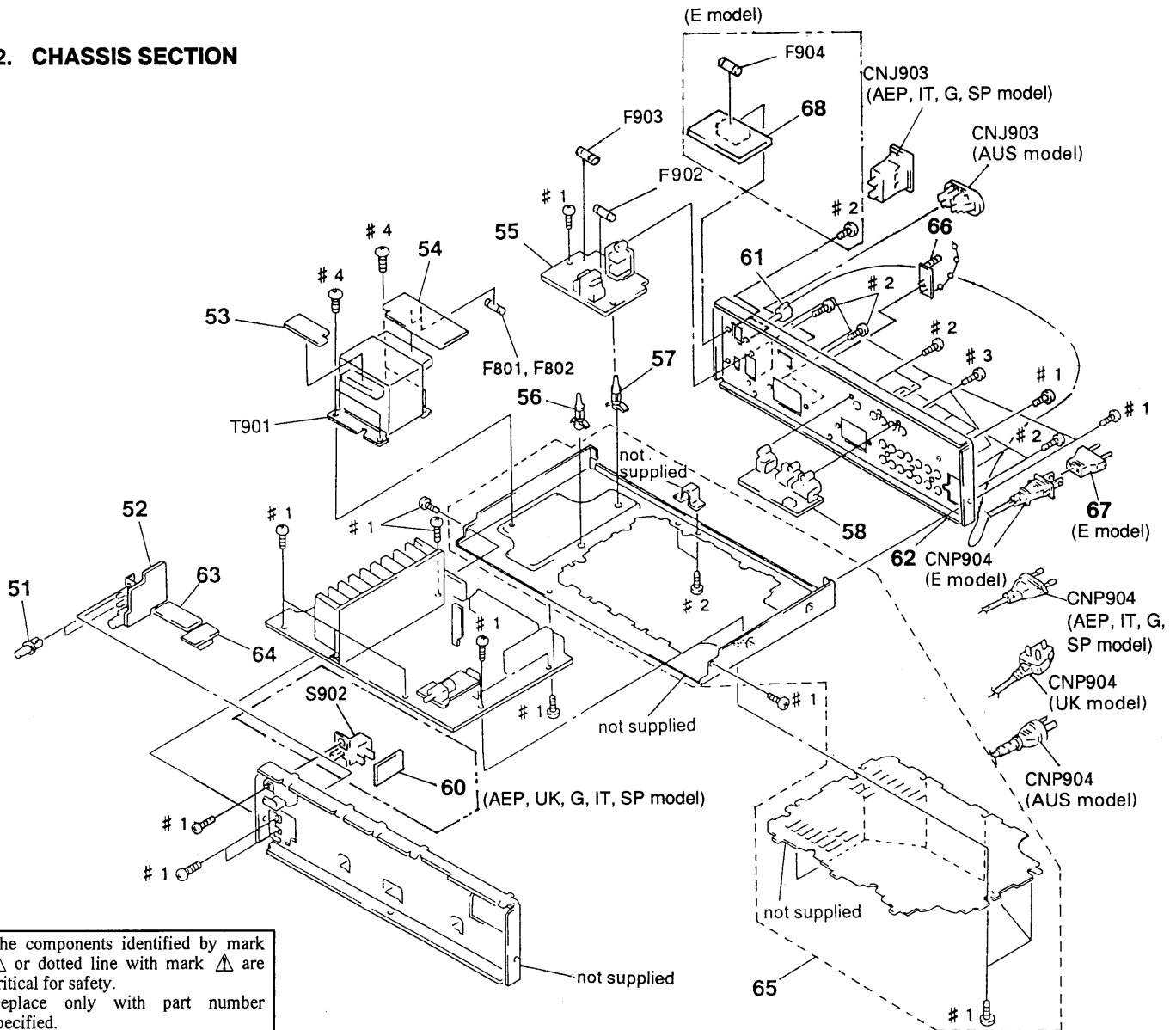
The components identified by mark Δ or dotted line with mark Δ are critical for safety. Replace only with part number specified.

4-1. CASE AND FRONT PANEL SECTION



Ref. No.	Part No.	Description	Remark	Ref. No.	Part No.	Description	Remark
1	X-4945-824-1	KNOB (VOL) ASSY		6	1-773-742-11	WIRE (FLAT TYPE) (23 CORE)	
2	3-350-426-01	SPRING, RING		7	4-951-620-01	SCREW (2.6X8), +BVTP	
3	4-943-420-01	KNOB (DIA. 19)		8	3-704-366-01	SCREW (CASE) (M3X8)	
4	X-4946-314-1	PANEL ASSY, FRONT (D665:AUS, E)		9	4-929-294-11	CASE (AEP, IT, G, UK)	
4	X-4946-316-1	PANEL ASSY, FRONT (D565:AUS)		* 9	4-951-795-01	CASE (E, AUS, SP)	
4	X-4945-820-1	PANEL ASSY, FRONT (D665:AEP, UK, G)		10	X-3369-843-1	FOOT ASSY (F58175S)	
4	X-4945-821-1	PANEL ASSY, FRONT (D565:AEP, IT, G, UK)		* 11	1-655-749-11	STONE BOARD	
4	X-4946-315-1	PANEL ASSY, FRONT (D665:SP)		* 12	4-921-941-01	CUSHION (FL)	
* 5	A-4377-666-A	DISPLAY BOARD, COMPLETE (AUS)		* 13	4-943-107-11	HOLDER (FL TUBE)	
* 5	A-4377-669-A	DISPLAY BOARD, COMPLETE (D665:E)		14	4-957-383-01	KNOB (F14)	
* 5	A-4377-673-A	DISPLAY BOARD, COMPLETE (AEP, IT, G, UK)		15	1-656-317-11	STBY SW BOARD (E, AUS)	
* 5	A-4378-560-A	DISPLAY BOARD, COMPLETE (SP)		16	4-917-460-01	KNOB, POWER	

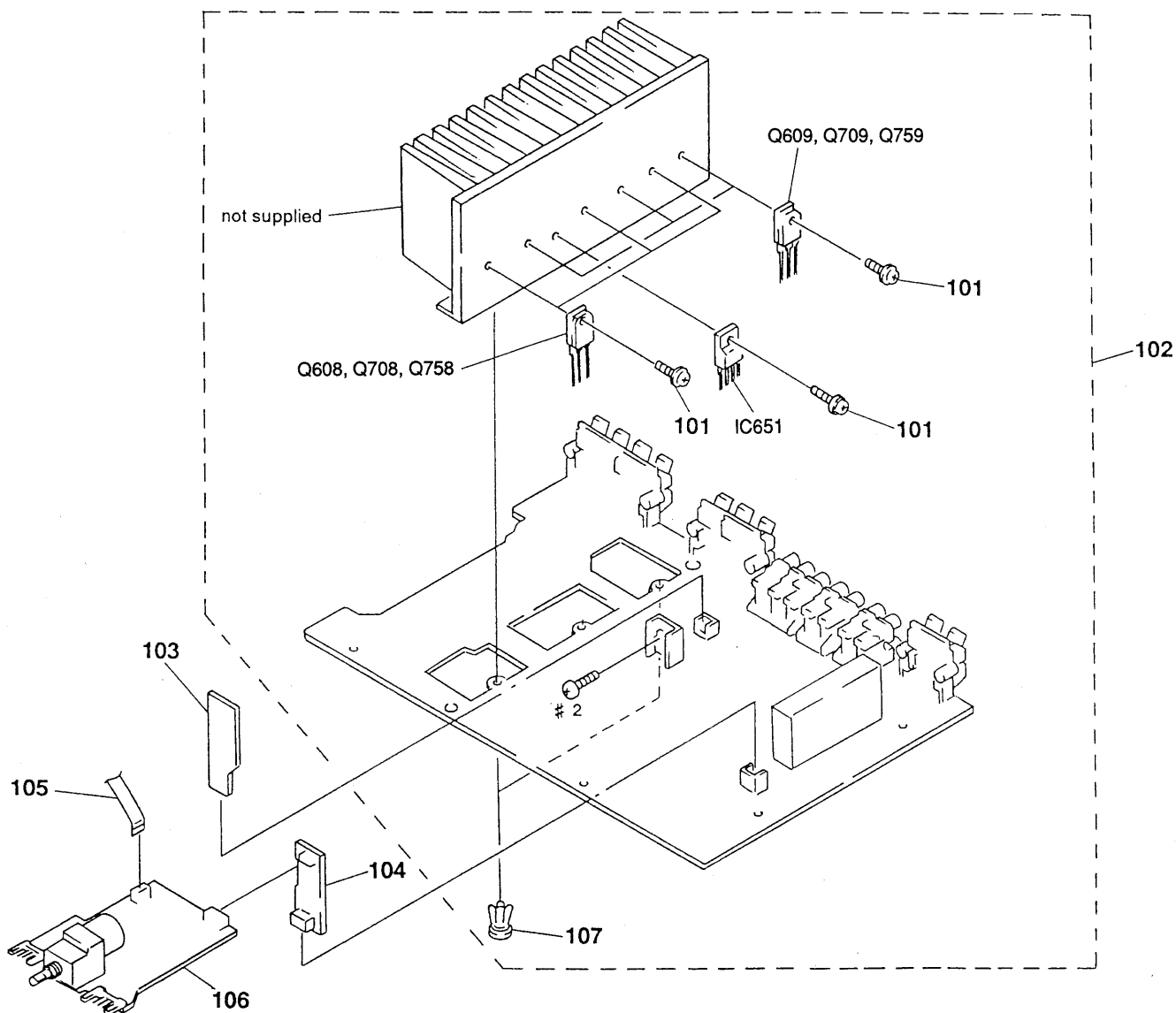
4-2. CHASSIS SECTION



The components identified by mark Δ or dotted line with mark Δ are critical for safety. Replace only with part number specified.

Ref.No.	Part No.	Description	Remark	Ref.No.	Part No.	Description	Remark
51	4-951-801-01	BUTTON (S)		Δ 67	1-569-007-11	ADAPTER, CONVERSION 2P (D665:E)	
* 52	1-655-750-11	SPSW BOARD		* 68	1-655-751-11	V-SELECT BOARD (D665:E)	
* 53	1-655-985-11	PRIMARY BOARD (EXCEPT E)		Δ CNJ903	1-251-078-11	OUTLET, AC (AUS)	
* 54	1-655-748-11	TRANS BOARD		Δ CNJ903	1-526-794-11	OUTLET, AC (AEP, IT, G, SP)	
* 55	1-655-752-11	STBY BOARD		Δ CNP904	1-575-653-11	CORD, POWER (E)	
				Δ CNP904	1-696-847-11	CORD, POWER (AUS)	
* 56	3-346-265-31	HOLDER, PC BOARD		Δ CNP904	1-751-520-11	CORD, POWER (UK)	
* 57	4-924-098-31	HOLDER, PC BOARD		Δ CNP904	1-769-744-11	CORD, POWER (AEP, IT, G, SP)	
* 58	1-655-747-11	VIDEO BOARD		Δ F801	1-532-237-00	FUSE, TIME LAG (T3.15AL 250V)	
* 60	1-655-808-11	ACSW BOARD (D665:AEP, UK, IT, G, SP)		Δ F802	1-532-237-00	FUSE, TIME LAG (T3.15AL 250V)	
61	3-703-244-00	BUSHING, CORD (EXCEPT E)		Δ F902	1-532-203-00	FUSE (T2AL, 250V) (D665:AEP, UK, G, E, SP)	
61	3-703-571-11	BUSHING (S) (4516), CORD (E)		Δ F902	1-532-259-00	FUSE, TIME LAG (T1.6AL, 250V) (D565/D665:AUS)	
* 62	4-972-655-21	PANEL, BACK (D665:AEP, G)		Δ F903	1-532-259-00	FUSE (T1.6AL 250V) (AEP, IT, G, SP)	
* 62	4-972-655-31	PANEL, BACK (D665:E)		Δ F904	1-532-203-00	FUSE (T2AL, 250V) (E)	
* 62	4-972-655-41	PANEL, BACK (D665:SP)		Δ S902	1-572-267-21	SWITCH, PUSH (AC POWER) (1 KEY) (AEP, IT, G, SP)	
* 62	4-972-655-51	PANEL, BACK (D665:UK)		Δ T901	1-426-710-11	TRANSFORMER, POWER (D665:E)	
* 62	4-972-655-61	PANEL, BACK (D665:AUS)		Δ T901	1-427-873-11	TRANSFORMER, POWER (D665:AEP, UK, G, SP)	
* 62	4-972-658-21	PANEL, BACK (D565:AEP, IT, G)		Δ T901	1-427-874-11	TRANSFORMER, POWER (D665:AUS)	
* 62	4-972-658-31	PANEL, BACK (D565:UK)		Δ T901	1-427-877-11	TRANSFORMER, POWER (D565:AEP, IT, G, UK)	
* 62	4-972-658-41	PANEL, BACK (D565:AUS)		Δ T901	1-427-878-11	TRANSFORMER, POWER (D565:AUS)	
* 63	1-655-754-11	SPSW-A BOARD					
* 64	1-655-755-11	SPSW-B BOARD					
* 65	A-4361-389-A	CHASSIS ASSY					
66	4-956-370-12	BAND, PLUG FIXED (D565:UK, AUS/D665:UK, AUS)					

4-3. MAIN SECTION



Ref. No.	Part No.	Description	Remark	Ref. No.	Part No.	Description	Remark
101	3-905-609-01	SCREW (TRANSISTOR)		IC651	8-759-085-89	IC LM3875-S (D665)	
* 102	A-4377-668-A	MAIN BOARD, COMPLETE (D665:AUS)		Q608	8-749-010-25	TRANSISTOR MN2488-OPY-M (D665)	
* 102	A-4377-671-A	MAIN BOARD, COMPLETE (D665:E)		Q608	8-729-020-52	TRANSISTOR 2SD2439-OPY (D565)	
* 102	A-4377-675-A	MAIN BOARD, COMPLETE (D665:AEP, UK, G)		Q609	8-749-010-26	TRANSISTOR MP1620-OPY-M (D665)	
* 102	A-4377-678-A	MAIN BOARD, COMPLETE (D565:AUS)		Q609	8-729-020-48	TRANSISTOR 2SB1588-OPY (D565)	
* 102	A-4377-679-A	MAIN BOARD, COMPLETE (D565:AEP, IT, G, UK)		Q708	8-749-010-25	TRANSISTOR MN2488-OPY-M (D665)	
* 102	A-4378-563-A	MAIN BOARD, COMPLETE (D665:SP)		Q708	8-729-020-52	TRANSISTOR 2SD2439-OPY (D565)	
* 103	1-655-746-11	VIDEO-MAIN BOARD		Q709	8-749-010-26	TRANSISTOR MP1620-OPY-M (D665)	
* 104	1-655-745-11	VOL-MAIN BOARD		Q709	8-729-020-48	TRANSISTOR 2SB1588-OPY (D565)	
105	1-773-493-11	WIRE (FLAT TYPE) (9 CORE) (D565/D665:AEP, UK, G, AUS, E)		Q758	8-749-010-25	TRANSISTOR MN2488-OPY-M (D665)	
* 106	A-4377-525-A	VOL BOARD, COMPLETE		Q758	8-729-020-52	TRANSISTOR 2SD2439-OPY (D565)	
107	4-812-134-51	RIVET (DIA. 3.5), NYLON (D665:AEP, UK, G, SP)		Q759	8-749-010-26	TRANSISTOR MP1620-OPY-M (D665)	
				Q759	8-729-020-48	TRANSISTOR 2SB1588-OPY (D565)	

SECTION 5 ELECTRICAL PARTS LIST

AC SW

DISPLAY

NOTE:

The components identified by mark Δ or dotted line with mark Δ are critical for safety. Replace only with part number specified.

When indicating parts by reference number, please include the board name.

- Due to standardization, replacements in the parts list may be different from the parts specified in the diagrams or the components used on the set.
- -XX, -X mean standardized parts, so they may have some difference from the original one.
- Items marked "*" are not stocked since they are seldom required for routine service. Some delay should be anticipated when ordering these items.
- RESISTORS
All resistors are in ohms
METAL: Metal-film resistor
METAL OXIDE: Metal Oxide-film resistor
F : nonflammable
- SEMICONDUCTORS
In each case, μ : for example:
uA...: μ A..., uPA...: μ PA..., uPB...: μ PB...,
uPC...: μ PC..., uPD...: μ PD...
- CAPACITORS
uF : μ F
- COILS
uH : μ H
- Abbreviation
G : German model
IT : Italian model
SP : Singapore model
AUS : Australian model
For detailed Malaysia model, refer to SP model

Ref. No.	Part No.	Description	Remark	Ref. No.	Part No.	Description	Remark
*	1-655-808-11	AC SW BOARD (AEP, UK, IT, G, SP) *****		CNS202	1-770-400-11	HOUSING, CONNECTOR (PC BOARD) 7P	
		< SWITCH >		* CNS203	1-565-481-11	CONNECTOR, BOARD TO BOARD 5P	
Δ S902	1-572-267-21	SWITCH, PUSH (AC POWER) (1 KEY) (AEP, UK, IT, G, SP)				< DIODE >	
*****				D201	8-719-313-72	LED SEL3810A-CD (VIODE)	
*	A-4377-666-A	DISPLAY BOARD, COMPLETE (AUS) *****		D202	8-719-313-72	LED SEL3810A-CD (TV/LD)	
*	A-4377-669-A	DISPLAY BOARD, COMPLETE (D665:E) *****		D203	8-719-313-72	LED SEL3810A-CD (HALL)	
*	A-4377-673-A	DISPLAY BOARD, COMPLETE (AEP, IT, G, UK) *****		D204	8-719-313-72	LED SEL3810A-CD (STADIUM)	
*	A-4378-560-A	DISPLAY BOARD, COMPLETE (SP) *****		D205	8-719-313-72	LED SEL3810A-CD (DOLBY SUR)	
*	4-921-941-01	CUSHION (FL)		D206	8-719-313-48	DIODE SEL6210S-TH12 (STANDBY)	
*	4-943-107-11	HOLDER (FL TUBE)		D211	8-719-815-85	DIODE 1S1585 (D565:AEP, IT, G, UK/D665:AEP, UK, G)	
		< CAPACITOR >		D211	8-719-987-63	DIODE 1N4148M (D565:AUS/D665:AUS, E, SP)	
C201	1-104-905-11	DOUBLE LAYERS 0.22F 5.5V		D212	8-719-815-85	DIODE 1S1585 (D565:AEP, IT, G, UK/D665:AEP, UK, G)	
C202	1-124-465-00	ELECT 0.47uF 20% 50V		D212	8-719-987-63	DIODE 1N4148M (D565:AUS/D665:AUS, E, SP)	
C203	1-126-096-11	ELECT 10uF 20% 35V		D214	8-719-815-85	DIODE 1S1585 (D565:AEP, IT, G, UK/D665:AEP, UK, G)	
C211	1-164-159-11	CERAMIC 0.1uF 50V (D565:AUS/D665:AUS, E, SP)		D214	8-719-987-63	DIODE 1N4148M (D565:AUS/D665:AUS, E, SP)	
C211	1-164-159-21	CERAMIC 0.1uF 50V (D565:AEP, IT, G, UK/D665:AEP, UK, G)		D215	8-719-815-85	DIODE 1S1585 (D565:AEP, IT, G, UK/D665:AEP, UK, G)	
C212	1-164-159-11	CERAMIC 0.1uF 50V (D565:AUS/D665:AUS, E, SP)		D215	8-719-987-63	DIODE 1N4148M (D565:AUS/D665:AUS, E, SP)	
C212	1-164-159-21	CERAMIC 0.1uF 50V (D565:AEP, IT, G, UK/D665:AEP, UK, G)		D222	8-719-987-63	DIODE 1N4148M (E, AUS)	
C213	1-162-294-31	CERAMIC 0.001uF 10% 50V		D223	8-719-815-85	DIODE 1S1585 (AEP, UK, IT, G)	
C214	1-164-159-11	CERAMIC 0.1uF 50V (D565:AUS/D665:AUS, E, SP)		D223	8-719-987-63	DIODE 1N4148M (AUS, SP)	
C214	1-164-159-21	CERAMIC 0.1uF 50V (D565:AEP, IT, G, UK/D665:AEP, UK, G)		D231	8-719-815-85	DIODE 1S1585 (D565:AEP, IT, G, UK/D665:AEP, UK, G)	
		< CONNECTOR >		D231	8-719-987-63	DIODE 1N4148M (D565:AUS/D665:AUS, E, SP)	
CNS201	1-766-036-11	CONNECTOR, FFC (LIF (NON-ZIF)) 23P		D232	8-719-815-85	DIODE 1S1585 (D565:AEP, IT, G, UK/D665:AEP, UK, G)	
				D232	8-719-987-63	DIODE 1N4148M (D565:AUS/D665:AUS, E, SP)	
				D233	8-719-815-85	DIODE 1S1585 (D565:AEP, IT, G, UK/D665:AEP, UK, G)	
				D233	8-719-987-63	DIODE 1N4148M (D565:AUS/D665:AUS, E, SP)	
				D234	8-719-815-85	DIODE 1S1585 (D565:AEP, IT, G, UK/D665:AEP, UK, G)	
				D234	8-719-987-63	DIODE 1N4148M (D565:AUS/D665:AUS, E, SP)	
				D235	8-719-815-85	DIODE 1S1585 (D565:AEP, IT, G, UK/D665:AEP, UK, G)	

DISPLAY

Ref. No.	Part No.	Description	Remark	Ref. No.	Part No.	Description	Remark
D235	8-719-987-63	DIODE 1N4148M (D565:AUS/D665:AUS, E, SP)		R214	1-249-425-11	CARBON 4.7K 5% 1/4W F	
D236	8-719-815-85	DIODE 1S1585 (D565:AEP, IT, G, UK/D665:AEP, UK, G)		R215	1-249-441-11	CARBON 100K 5% 1/4W	
D236	8-719-987-63	DIODE 1N4148M (D565:AUS/D665:AUS, E, SP)		R216	1-249-441-11	CARBON 100K 5% 1/4W	
		< FLUORESCENT INDICATOR >		R217	1-249-429-11	CARBON 10K 5% 1/4W	
FL201	1-517-141-11	INDICATOR TUBE, FLUORESCENT		R218	1-247-863-91	CARBON 22K 5% 1/4W (D565:AEP, IT, G, UK/D665:AEP, UK, G)	
		< IC >		R218	1-249-433-11	CARBON 22K 5% 1/4W (D565:AUS/D665:AUS, E, SP)	
IC201	8-759-347-90	IC uPD78044GF-126-3B9		R221	1-247-807-31	CARBON 100 5% 1/4W	
IC202	8-759-962-08	IC BA6208		R222	1-247-807-31	CARBON 100 5% 1/4W	
IC203	8-749-923-11	IC GP1U58XB		R223	1-247-807-31	CARBON 100 5% 1/4W	
		< TRANSISTOR >		R224	1-247-807-31	CARBON 100 5% 1/4W	
Q201	8-729-029-40	TRANSISTOR DTA124ESA (D565:AEP, IT, G, UK/D665:AEP, UK, G)		R225	1-247-807-31	CARBON 100 5% 1/4W	
Q201	8-729-900-63	TRANSISTOR DTA124ES (D565:AUS/D665:AUS, E, SP)		R226	1-249-410-11	CARBON 270 5% 1/4W F	
Q202	8-729-029-86	TRANSISTOR DTC124ESA (D565:AEP, IT, G, UK/D665:AEP, UK, G)		R227	1-249-412-11	CARBON 390 5% 1/4W F	
Q202	8-729-900-36	TRANSISTOR DTC124ES (D565:AUS/D665:AUS, E, SP)		R228	1-249-412-11	CARBON 390 5% 1/4W F	
Q203	8-729-029-86	TRANSISTOR DTC124ESA (D565:AEP, IT, G, UK/D665:AEP, UK, G)		R229	1-249-410-11	CARBON 270 5% 1/4W F	
Q203	8-729-900-36	TRANSISTOR DTC124ES (D565:AUS/D665:AUS, E, SP)		R230	1-249-410-11	CARBON 270 5% 1/4W F	
Q204	8-729-029-86	TRANSISTOR DTC124ESA (D565:AEP, IT, G, UK/D665:AEP, UK, G)		R231	1-247-863-91	CARBON 22K 5% 1/4W (D565:AEP, IT, G, UK/D665:AEP, UK, G)	
Q204	8-729-900-36	TRANSISTOR DTC124ES (D565:AUS/D665:AUS, E, SP)		R231	1-249-433-11	CARBON 22K 5% 1/4W (D565:AUS/D665:AUS, E, SP)	
Q205	8-729-029-86	TRANSISTOR DTC124ESA (D565:AEP, IT, G, UK/D665:AEP, UK, G)		R232	1-247-863-91	CARBON 22K 5% 1/4W (D565:AEP, IT, G, UK/D665:AEP, UK, G)	
Q205	8-729-900-36	TRANSISTOR DTC124ES (D565:AUS/D665:AUS, E, SP)		R232	1-249-433-11	CARBON 22K 5% 1/4W (D565:AUS/D665:AUS, E, SP)	
		< RESISTOR >		R233	1-247-863-91	CARBON 22K 5% 1/4W (D565:AEP, IT, G, UK/D665:AEP, UK, G)	
R200	1-247-863-91	CARBON 22K 5% 1/4W (D565:AEP, IT, G, UK/D665:AEP, UK, G)		R233	1-249-433-11	CARBON 22K 5% 1/4W (D565:AUS/D665:AUS, E, SP)	
R200	1-249-433-11	CARBON 22K 5% 1/4W (D565:AUS/D665:AUS, E, SP)		R234	1-247-863-91	CARBON 22K 5% 1/4W (D565:AEP, IT, G, UK/D665:AEP, UK, G)	
R201	1-249-427-11	CARBON 6.8K 5% 1/4W F		R234	1-249-433-11	CARBON 22K 5% 1/4W (D565:AUS/D665:AUS, E, SP)	
R202	1-249-413-11	CARBON 470 5% 1/4W F		R235	1-247-863-91	CARBON 22K 5% 1/4W (D565:AEP, IT, G, UK/D665:AEP, UK, G)	
R203	1-249-415-11	CARBON 680 5% 1/4W F		R235	1-249-433-11	CARBON 22K 5% 1/4W (D565:AUS/D665:AUS, E, SP)	
R204	1-249-417-11	CARBON 1K 5% 1/4W F		R236	1-247-863-91	CARBON 22K 5% 1/4W (D565:AEP, IT, G, UK/D665:AEP, UK, G)	
R205	1-249-419-11	CARBON 1.5K 5% 1/4W F		R236	1-249-433-11	CARBON 22K 5% 1/4W (D565:AUS/D665:AUS, E, SP)	
R206	1-249-421-11	CARBON 2.2K 5% 1/4W F				< SWITCH >	
R207	1-249-423-11	CARBON 3.3K 5% 1/4W F		S201	1-554-303-21	SWITCH, TACTILE (SURROUND MODE)	
R208	1-249-427-11	CARBON 6.8K 5% 1/4W F		S202	1-554-303-21	SWITCH, TACTILE (SURROUND ON/OFF)	
R209	1-249-431-11	CARBON 15K 5% 1/4W		S203	1-554-303-21	SWITCH, TACTILE (CENTER LEVEL-)	
R211	1-247-903-00	CARBON 1M 5% 1/4W		S204	1-554-303-21	SWITCH, TACTILE (CENTER MODE)	
R212	1-249-429-11	CARBON 10K 5% 1/4W		S205	1-554-303-21	SWITCH, TACTILE (DELAY TIME)	
R213	1-249-441-11	CARBON 100K 5% 1/4W		S206	1-554-303-21	SWITCH, TACTILE (REAR LEVEL -)	
				S207	1-554-303-21	SWITCH, TACTILE (REAR LEVEL +)	
				S208	1-554-303-21	SWITCH, TACTILE (CENTER LEVEL +)	

Ref. No.	Part No.	Description	Remark	Ref. No.	Part No.	Description	Remark
S211	1-554-303-21	SWITCH, TACTILE (1)		*	A-4377-668-A	MAIN BOARD, COMPLETE (D665:AUS)	
S212	1-554-303-21	SWITCH, TACTILE (2)				*****	
S213	1-554-303-21	SWITCH, TACTILE (VIDEO)		*	A-4377-671-A	MAIN BOARD, COMPLETE (D665:E)	
S214	1-554-303-21	SWITCH, TACTILE (TV/LD)				*****	
S215	1-554-303-21	SWITCH, TACTILE (TAPE/MD)		*	A-4377-675-A	MAIN BOARD, COMPLETE (D665:AEP, UK, G)	
S216	1-554-303-21	SWITCH, TACTILE (CD)				*****	
S221	1-554-303-21	SWITCH, TACTILE (TUNER)		*	A-4377-678-A	MAIN BOARD, COMPLETE (D565:AUS)	
S222	1-554-303-21	SWITCH, TACTILE (RDS PTY)				*****	
S223	1-554-303-21	SWITCH, TACTILE (CHARACTER)		*	A-4377-679-A	MAIN BOARD, COMPLETE (D565:AEP, IT, G, UK)	
S224	1-554-303-21	SWITCH, TACTILE (DISPLAY)				*****	
S225	1-554-303-21	SWITCH, TACTILE (RDS EON)		*	A-4378-563-A	MAIN BOARD, COMPLETE (D665:SP)	
S226	1-554-303-21	SWITCH, TACTILE (PHONO)				*****	
S231	1-554-303-21	SWITCH, TACTILE (DIRECT)			3-905-609-01	SCREW (TRANSISTOR)	
S232	1-554-303-21	SWITCH, TACTILE (0)			4-812-134-00	RIVET (DIA. 3.5), NYLON (D565/D665:AUS, E)	
S233	1-554-303-21	SWITCH, TACTILE (PRESET TUNING +)			4-812-134-51	RIVET (DIA. 3.5), NYLON (D665:AEP, UK, G, SP)	
S234	1-554-303-21	SWITCH, TACTILE (SHIFT)			7-682-548-04	SCREW +BVTT 3X8 (S)	
S235	1-554-303-21	SWITCH, TACTILE (PRESET TUNING -)				< CAPACITOR >	
S236	1-554-303-21	SWITCH, TACTILE (9)		C1	1-126-964-11	ELECT 10uF 20% 50V	
S241	1-554-303-21	SWITCH, TACTILE (4)				(D565:AEP, IT, G, UK/D665:AEP, UK, G)	
S242	1-554-303-21	SWITCH, TACTILE (3)		C2	1-162-306-11	CERAMIC 0.01uF 30% 16V	
S243	1-554-303-21	SWITCH, TACTILE (5)				(D565:AEP, IT, G, UK/D665:AEP, UK, G)	
S244	1-554-303-21	SWITCH, TACTILE (6)		C3	1-162-288-31	CERAMIC 330PF 10% 50V	
S245	1-554-303-21	SWITCH, TACTILE (7)				(D565:AEP, IT, G, UK/D665:AEP, UK, G)	
S246	1-554-303-21	SWITCH, TACTILE (8)		C4	1-124-925-11	ELECT 2.2uF 20% 100V	
S251	1-554-303-21	SWITCH, TACTILE (BAND)				(D565:AEP, IT, G, UK/D665:AEP, UK, G)	
S252	1-554-303-21	SWITCH, TACTILE (FM MODE)		C5	1-162-306-11	CERAMIC 0.01uF 30% 16V	
S253	1-554-303-21	SWITCH, TACTILE (TUNING/CHARACTER +)				(D565:AEP, IT, G, UK/D665:AEP, UK, G)	
S254	1-554-303-21	SWITCH, TACTILE (TUNING/CHARACTER -)		C6	1-162-291-31	CERAMIC 560PF 10% 50V	
S255	1-554-303-21	SWITCH, TACTILE (MEMORY)				(D565:AEP, IT, G, UK/D665:AEP, UK, G)	
		< VIBRATOR >		C7	1-164-068-11	CERAMIC 82PF 5% 50V	
X201	1-577-101-11	VIBRATOR, CERAMIC (4.19MHz)				(D565:AEP, IT, G, UK/D665:AEP, UK, G)	
		*****		C8	1-164-062-11	CERAMIC 47PF 5% 50V	
						(D565:AEP, IT, G, UK/D665:AEP, UK, G)	
				C302	1-124-120-11	ELECT 220uF 20% 25V	
						(D565:AUS/D665:AUS, E, SP)	
				C302	1-126-934-11	ELECT 220uF 20% 16V	
						(D565:AEP, IT, G, UK/D665:AEP, UK, G)	
				C303	1-130-489-00	MYLAR 0.033uF 5% 50V	
				C304	1-137-365-11	FILM 0.0015uF 5% 50V	
				C305	1-130-489-00	MYLAR 0.033uF 5% 50V	
						(D565:AUS/D665:AUS, E)	
				C305	1-130-489-00	FILM 0.033uF 5% 50V	
						(D565:AEP, IT, G, UK/D665:AEP, UK, G, SP)	
				C306	1-124-903-11	ELECT 1uF 20% 50V	
				C307	1-124-907-11	ELECT 10uF 20% 50V	
						(D565:AUS/D665:AUS, E, SP)	
				C307	1-126-964-11	ELECT 10uF 20% 50V	
						(D565:AEP, IT, G, UK/D665:AEP, UK, G)	

MAIN

Ref. No.	Part No.	Description	Remark	Ref. No.	Part No.	Description	Remark
C308	1-124-907-11	ELECT	10uF 20% 50V (D565:AUS/D665:AUS, E, SP)	C337	1-126-964-11	ELECT	10uF 20% 50V (D565:AEP, IT, G, UK/D665:AEP, UK, G)
C308	1-126-964-11	ELECT	10uF 20% 50V (D565:AEP, IT, G, UK/D665:AEP, UK, G)	C338	1-124-907-11	ELECT	10uF 20% 50V (D565:AUS/D665:AUS, E, SP)
C310	1-126-111-11	ELECT	3. 3uF 20% 50V (D565:AEP, IT, G, UK/D665:AEP, UK, G)	C338	1-126-964-11	ELECT	10uF 20% 50V (D565:AEP, IT, G, UK/D665:AEP, UK, G)
C310	1-126-962-11	ELECT	3. 3uF 20% 50V (D565:AUS/D665:AUS, E, SP)	C339	1-124-907-11	ELECT	10uF 20% 50V (D565:AUS/D665:AUS, E, SP)
C311	1-124-925-11	ELECT	2. 2uF 20% 100V	C339	1-126-964-11	ELECT	10uF 20% 50V (D565:AEP, IT, G, UK/D665:AEP, UK, G)
C316	1-124-907-11	ELECT	10uF 20% 50V (D565:AUS/D665:AUS, E, SP)	C340	1-124-907-11	ELECT	10uF 20% 50V (D565:AUS/D665:AUS, E, SP)
C316	1-126-964-11	ELECT	10uF 20% 50V (D565:AEP, IT, G, UK/D665:AEP, UK, G)	C340	1-126-964-11	ELECT	10uF 20% 50V (D565:AEP, IT, G, UK/D665:AEP, UK, G)
C317	1-104-665-11	ELECT	100uF 20% 16V (D565:AUS/D665:AUS, E, SP)	C341	1-124-120-11	ELECT	220uF 20% 25V (D565:AUS/D665:AUS, E, SP)
C317	1-126-933-11	ELECT	100uF 20% 16V (D565:AEP, IT, G, UK/D665:AEP, UK, G)	C341	1-126-934-11	ELECT	220uF 20% 16V (D565:AEP, IT, G, UK/D665:AEP, UK, G)
C318	1-137-363-91	FILM	680PF 5% 50V	C342	1-126-111-11	ELECT	3. 3uF 20% 50V (D565:AEP, IT, G, UK/D665:AEP, UK, G)
C322	1-126-111-11	ELECT	3. 3uF 20% 50V (D565:AEP, IT, G, UK/D665:AEP, UK, G)	C342	1-126-962-11	ELECT	3. 3uF 20% 50V (D565:AUS/D665:AUS, E, SP)
C322	1-126-962-11	ELECT	3. 3uF 20% 50V (D565:AUS/D665:AUS, E, SP)	C343	1-126-962-11	ELECT	3. 3uF 20% 50V (D565:AUS/D665:AUS, E, SP)
C323	1-136-173-00	FILM	0. 47uF 5% 50V	C343	1-126-111-11	ELECT	3. 3uF 20% 50V (D565:AEP, IT, G, UK/D665:AEP, UK, G)
C324	1-104-664-11	ELECT	47uF 20% 16V (D565:AUS/D665:AUS, E, SP)	C344	1-136-165-00	FILM	0. 1uF 5% 50V
C324	1-126-967-11	ELECT	47uF 20% 16V (D565:AEP, IT, G, UK/D665:AEP, UK, G)	C345	1-136-165-00	FILM	0. 1uF 5% 50V
C325	1-136-165-00	FILM	0. 1uF 5% 50V	C346	1-124-902-00	ELECT	0. 47uF 20% 50V
C326	1-136-165-00	FILM	0. 1uF 5% 50V	C347	1-124-927-11	ELECT	4. 7uF 20% 100V (D565:AEP, IT, G, UK/D665:AEP, UK, G)
C327	1-124-902-00	ELECT	0. 47uF 20% 50V	C347	1-126-963-11	ELECT	4. 7uF 20% 50V (D565:AUS/D665:AUS, E, SP)
C328	1-124-927-11	ELECT	4. 7uF 20% 100V (D565:AEP, IT, G, UK/D665:AEP, UK, G)	C348	1-124-902-00	ELECT	0. 47uF 20% 50V
C328	1-126-963-11	ELECT	4. 7uF 20% 50V (D565:AUS/D665:AUS, E, SP)	C349	1-124-927-11	ELECT	4. 7uF 20% 100V (D565:AEP, IT, G, UK/D665:AEP, UK, G)
C329	1-124-902-00	ELECT	0. 47uF 20% 50V	C349	1-126-963-11	ELECT	4. 7uF 20% 50V (D565:AUS/D665:AUS, E, SP)
C330	1-124-927-11	ELECT	4. 7uF 20% 100V (D565:AEP, IT, G, UK/D665:AEP, UK, G)	C350	1-124-250-11	ELECT	0. 15uF 20% 50V
C330	1-126-963-11	ELECT	4. 7uF 20% 50V (D565:AUS/D665:AUS, E, SP)	C351	1-126-111-11	ELECT	3. 3uF 20% 50V (D565:AEP, IT, G, UK/D665:AEP, UK, G)
C331	1-124-250-11	ELECT	0. 15uF 20% 50V	C351	1-126-962-11	ELECT	3. 3uF 20% 50V (D565:AUS/D665:AUS, E, SP)
C332	1-126-111-11	ELECT	3. 3uF 20% 50V (D565:AEP, IT, G, UK/D665:AEP, UK, G)	C352	1-124-250-11	ELECT	0. 15uF 20% 50V
C332	1-126-962-11	ELECT	3. 3uF 20% 50V (D565:AUS/D665:AUS, E, SP)	C353	1-164-159-11	CERAMIC	0. 1uF 50V (D565:AUS/D665:AUS, E, SP)
C333	1-124-250-11	ELECT	0. 15uF 20% 50V	C353	1-164-159-21	CERAMIC	0. 1uF 50V (D565:AEP, IT, G, UK/D665:AEP, UK, G)
C334	1-137-372-11	FILM	0. 022uF 5% 50V	C354	1-164-159-11	CERAMIC	0. 1uF 50V (D565:AUS/D665:AUS, E, SP)
C335	1-136-161-00	FILM	0. 047uF 5% 50V	C354	1-164-159-21	CERAMIC	0. 1uF 50V (D565:AEP, IT, G, UK/D665:AEP, UK, G)
C336	1-124-120-11	ELECT	220uF 20% 25V (D565:AUS/D665:AUS, E, SP)	C355	1-164-159-11	CERAMIC	0. 1uF 50V (D565:AUS/D665:AUS, E, SP)
C336	1-126-934-11	ELECT	220uF 20% 16V (D565:AEP, IT, G, UK/D665:AEP, UK, G)				
C337	1-124-907-11	ELECT	10uF 20% 50V (D565:AUS/D665:AUS, E, SP)				

Ref.No.	Part No.	Description	Remark	Ref.No.	Part No.	Description	Remark
C355	1-164-159-21	CERAMIC	0. 1uF 50V (D565:AEP, IT, G, UK/D665:AEP, UK, G)	C407	1-137-365-11	FILM	0. 0015uF 5% 50V
C356	1-164-159-11	CERAMIC	0. 1uF 50V (D565:AUS/D665:AUS, E, SP)	C408	1-162-294-31	CERAMIC	0. 001uF 10% 50V
C356	1-164-159-21	CERAMIC	0. 1uF 50V (D565:AEP, IT, G, UK/D665:AEP, UK, G)	C409	1-126-111-11	ELECT	3. 3uF 20% 50V (D565:AEP, IT, G, UK/D665:AEP, UK, G)
C357	1-164-159-11	CERAMIC	0. 1uF 50V (D565:AUS/D665:AUS, E, SP)	C409	1-126-962-11	ELECT	3. 3uF 20% 50V (D565:AUS/D665:AUS, E, SP)
C357	1-164-159-21	CERAMIC	0. 1uF 50V (D565:AEP, IT, G, UK/D665:AEP, UK, G)	C410	1-164-159-11	CERAMIC	0. 1uF 50V (D565:AUS/D665:AUS, E, SP)
C358	1-162-291-31	CERAMIC	560PF 10% 50V	C410	1-164-159-21	CERAMIC	0. 1uF 50V (D565:AEP, IT, G, UK/D665:AEP, UK, G)
C359	1-124-927-11	ELECT	4. 7uF 20% 100V (D565:AEP, IT, G, UK/D665:AEP, UK, G)	C412	1-162-291-31	CERAMIC	560PF 10% 50V
C359	1-126-963-11	ELECT	4. 7uF 20% 50V (D565:AUS/D665:AUS, E, SP)	C413	1-164-159-11	CERAMIC	0. 1uF 50V (D565:AUS/D665:AUS, E, SP)
C360	1-124-927-11	ELECT	4. 7uF 20% 100V (D565:AEP, IT, G, UK/D665:AEP, UK, G)	C413	1-164-159-21	CERAMIC	0. 1uF 50V (D565:AEP, IT, G, UK/D665:AEP, UK, G)
C360	1-126-963-11	ELECT	4. 7uF 20% 50V (D565:AUS/D665:AUS, E, SP)	C415	1-164-159-11	CERAMIC	0. 1uF 50V (D565:AUS/D665:AUS, E, SP)
C361	1-124-120-11	ELECT	220uF 20% 25V (D565:AUS/D665:AUS, E, SP)	C415	1-164-159-21	CERAMIC	0. 1uF 50V (D565:AEP, IT, G, UK/D665:AEP, UK, G)
C361	1-126-934-11	ELECT	220uF 20% 16V (D565:AEP, IT, G, UK/D665:AEP, UK, G)	C416	1-164-159-11	CERAMIC	0. 1uF 50V (D565:AUS/D665:AUS, E, SP)
C362	1-124-120-11	ELECT	220uF 20% 25V (D565:AUS/D665:AUS, E, SP)	C416	1-164-159-21	CERAMIC	0. 1uF 50V (D565:AEP, IT, G, UK/D665:AEP, UK, G)
C362	1-126-934-11	ELECT	220uF 20% 16V (D565:AEP, IT, G, UK/D665:AEP, UK, G)	C434	1-162-286-21	CERAMIC	220PF 10% 50V (D565:AEP, IT, G, UK/D665:AEP, UK, G)
C363	1-164-159-11	CERAMIC	0. 1uF 50V (D565:AUS/D665:AUS, E, SP)	C434	1-162-286-31	CERAMIC	220PF 10% 50V (D565:AUS/D665:AUS, E, SP)
C363	1-164-159-21	CERAMIC	0. 1uF 50V (D565:AEP, IT, G, UK/D665:AEP, UK, G)	C435	1-162-286-21	CERAMIC	220PF 10% 50V (D565:AEP, IT, G, UK/D665:AEP, UK, G)
C365	1-126-966-11	ELECT	33uF 20% 50V	C435	1-162-286-31	CERAMIC	220PF 10% 50V (D565:AUS/D665:AUS, E, SP)
C366	1-164-159-21	CERAMIC	0. 1uF 50V	C451	1-162-286-21	CERAMIC	220PF 10% 50V (D565:AEP, IT, G, UK/D665:AEP, UK, G)
C401	1-162-286-21	CERAMIC	220PF 10% 50V (D565:AEP, IT, G, UK/D665:AEP, UK, G)	C451	1-162-282-31	CERAMIC	100PF 10% 50V (D565:AUS/D665:AUS, E, SP)
C401	1-162-282-31	CERAMIC	100PF 10% 50V (D565:AUS/D665:AUS, E, SP)	C452	1-126-111-11	ELECT	3. 3uF 20% 50V (D565:AEP, IT, G, UK/D665:AEP, UK, G)
C402	1-126-111-11	ELECT	3. 3uF 20% 50V (D565:AEP, IT, G, UK/D665:AEP, UK, G)	C452	1-126-962-11	ELECT	3. 3uF 20% 50V (D565:AUS/D665:AUS, E, SP)
C402	1-126-962-11	ELECT	3. 3uF 20% 50V (D565:AUS/D665:AUS, E, SP)	C453	1-104-663-11	ELECT	33uF 20% 16V (D565:AUS/D665:AUS, E, SP)
C403	1-104-663-11	ELECT	33uF 20% 16V (D565:AUS/D665:AUS, E, SP)	C453	1-126-966-11	ELECT	33uF 20% 16V (D565:AEP, IT, G, UK/D665:AEP, UK, G)
C403	1-126-966-11	ELECT	33uF 20% 16V (D565:AEP, IT, G, UK/D665:AEP, UK, G)	C454	1-162-286-21	CERAMIC	220PF 10% 50V (D565:AEP, IT, G, UK/D665:AEP, UK, G)
C404	1-162-286-21	CERAMIC	220PF 10% 50V (D565:AEP, IT, G, UK/D665:AEP, UK, G)	C454	1-162-282-31	CERAMIC	100PF 10% 50V (D565:AUS/D665:AUS, E, SP)
C404	1-162-282-31	CERAMIC	100PF 10% 50V (D565:AUS/D665:AUS, E, SP)	C455	1-137-459-11	FILM	0. 0056uF 5% 100V
C405	1-137-459-11	FILM	0. 0056uF 5% 100V	C457	1-137-365-11	FILM	0. 0015uF 5% 50V
C406	1-164-159-11	CERAMIC	0. 1uF 50V (D565:AUS/D665:AUS, E, SP)	C459	1-126-111-11	ELECT	3. 3uF 20% 50V (D565:AEP, IT, G, UK/D665:AEP, UK, G)
C406	1-164-159-21	CERAMIC	0. 1uF 50V (D565:AEP, IT, G, UK/D665:AEP, UK, G)	C459	1-126-962-11	ELECT	3. 3uF 20% 50V (D565:AUS/D665:AUS, E, SP)

MAIN

Ref.No.	Part No.	Description	Remark	Ref.No.	Part No.	Description	Remark
C460	1-164-159-11	CERAMIC	0. 1uF 50V (D565:AUS/D665:AUS, E, SP)	C702	1-164-077-11	CERAMIC	220PF 10% 50V
C460	1-164-159-21	CERAMIC	0. 1uF 50V (D565:AEP, IT, G, UK/D665:AEP, UK, G)	C703	1-162-215-31	CERAMIC	47PF 5% 50V
C601	1-124-927-11	ELECT	4. 7uF 20% 100V (D565:AEP, IT, G, UK/D665:AEP, UK, G)	C704	1-104-666-11	ELECT	220uF 20% 6. 3V (D565:AUS/D665:AUS, E, SP)
C601	1-126-963-11	ELECT	4. 7uF 20% 50V (D565:AUS/D665:AUS, E, SP)	C704	1-126-923-11	ELECT	220uF 20% 10V (D565:AEP, IT, G, UK/D665:AEP, UK, G)
C602	1-164-077-11	CERAMIC	220PF 10% 50V	C705	1-164-084-11	CERAMIC	820PF 10% 50V
C603	1-162-215-31	CERAMIC	47PF 5% 50V	C706	1-104-664-11	ELECT	47uF 20% 16V (D565:AUS/D665:AUS, E, SP)
C604	1-104-666-11	ELECT	220uF 20% 6. 3V (D565:AUS/D665:AUS, E, SP)	C706	1-126-967-11	ELECT	47uF 20% 16V (D565:AEP, IT, G, UK/D665:AEP, UK, G)
C604	1-126-923-11	ELECT	220uF 20% 10V (D565:AEP, IT, G, UK/D665:AEP, UK, G)	C707	1-164-039-11	CERAMIC	3PF 0. 25PF 50V
C605	1-164-084-11	CERAMIC	820PF 10% 50V	C708	1-104-664-11	ELECT	47uF 20% 16V (D565:AUS/D665:AUS, E, SP)
C606	1-104-664-11	ELECT	47uF 20% 16V (D565:AUS/D665:AUS, E, SP)	C708	1-126-967-11	ELECT	47uF 20% 16V (D565:AEP, IT, G, UK/D665:AEP, UK, G)
C606	1-126-967-11	ELECT	47uF 20% 16V (D565:AEP, IT, G, UK/D665:AEP, UK, G)	C710	1-162-815-11	CERAMIC	47PF 5% 500V
C607	1-164-039-11	CERAMIC	3PF 0. 25PF 50V	C711	1-164-159-11	CERAMIC	0. 1uF 50V (D565:AUS/D665:AUS, E, SP)
C608	1-104-664-11	ELECT	47uF 20% 16V (D565:AUS/D665:AUS, E, SP)	C711	1-164-159-21	CERAMIC	0. 1uF 50V (D565:AEP, IT, G, UK/D665:AEP, UK, G)
C608	1-126-967-11	ELECT	47uF 20% 16V (D565:AEP, IT, G, UK/D665:AEP, UK, G)	C712	1-137-372-11	FILM	0. 022uF 5% 50V
C610	1-164-159-11	CERAMIC	0. 1uF 50V (D565:AUS/D665:AUS, E, SP)	C720	1-126-935-11	ELECT	470uF 20% 6. 3V (D565:AEP, IT, G, UK/D665:AEP, UK, G)
C610	1-164-159-21	CERAMIC	0. 1uF 50V (D565:AEP, IT, G, UK/D665:AEP, UK, G)	C720	1-126-941-11	ELECT	470uF 20% 6. 3V (D565:AUS/D665:AUS, E, SP)
C611	1-164-159-11	CERAMIC	0. 1uF 50V (D565:AUS/D665:AUS, E, SP)	C721	1-124-927-11	ELECT	4. 7uF 20% 100V (D565:AUS/D665:AUS, E, SP)
C611	1-164-159-21	CERAMIC	0. 1uF 50V (D565:AEP, IT, G, UK/D665:AEP, UK, G)	C721	1-128-581-11	ELECT	4. 7uF 20% 100V (D565:AEP, IT, G, UK/D665:AEP, UK, G)
C612	1-137-372-11	FILM	0. 022uF 5% 50V	C722	1-124-927-11	ELECT	4. 7uF 20% 100V (D565:AUS/D665:AUS, E, SP)
C613	1-162-815-11	CERAMIC	47PF 5% 500V	C722	1-128-581-11	ELECT	4. 7uF 20% 100V (D565:AEP, IT, G, UK/D665:AEP, UK, G)
C651	1-164-077-11	CERAMIC	220PF 10% 50V	C723	1-124-463-00	ELECT	0. 1uF 20% 50V
C652	1-124-927-11	ELECT	4. 7uF 20% 100V (D565:AEP, IT, G, UK/D665:AEP, UK, G)	C751	1-124-927-11	ELECT	4. 7uF 20% 100V (D565:AEP, IT, G, UK/D665:AEP, UK, G)
C652	1-126-963-11	ELECT	4. 7uF 20% 50V (D565:AUS/D665:AUS, E, SP)	C751	1-126-963-11	ELECT	4. 7uF 20% 50V (D565:AUS/D665:AUS, E, SP)
C653	1-164-070-11	CERAMIC	100PF 5% 50V	C752	1-164-077-11	CERAMIC	220PF 10% 50V
C654	1-124-443-00	ELECT	100uF 20% 10V (D565:AUS/D665:AUS, E, SP)	C753	1-162-215-31	CERAMIC	47PF 5% 50V
C654	1-126-933-11	ELECT	100uF 20% 10V (D565:AEP, IT, G, UK/D665:AEP, UK, G)	C754	1-104-666-11	ELECT	220uF 20% 6. 3V (D565:AUS/D665:AUS, E, SP)
C655	1-164-039-11	CERAMIC	3PF 0. 25PF 50V	C754	1-126-923-11	ELECT	220uF 20% 10V (D565:AEP, IT, G, UK/D665:AEP, UK, G)
C656	1-124-927-11	ELECT	4. 7uF 20% 100V (D565:AEP, IT, G, UK/D665:AEP, UK, G)	C755	1-164-084-11	CERAMIC	820PF 10% 50V
C656	1-126-963-11	ELECT	4. 7uF 20% 50V (D565:AUS/D665:AUS, E, SP)	C756	1-104-664-11	ELECT	47uF 20% 16V (D565:AUS/D665:AUS, E, SP)
C658	1-137-372-11	FILM	0. 022uF 5% 50V	C756	1-126-967-11	ELECT	47uF 20% 16V (D565:AEP, IT, G, UK/D665:AEP, UK, G)
C701	1-124-927-11	ELECT	4. 7uF 20% 100V (D565:AEP, IT, G, UK/D665:AEP, UK, G)	C757	1-164-039-11	CERAMIC	3PF 0. 25PF 50V
C701	1-126-963-11	ELECT	4. 7uF 20% 50V (D565:AUS/D665:AUS, E, SP)	C758	1-104-664-11	ELECT	47uF 20% 16V (D565:AUS/D665:AUS, E, SP)

Ref.No.	Part No.	Description	Remark	Ref.No.	Part No.	Description	Remark
C758	1-126-967-11	ELECT	47uF 20% 16V (D565:AEP, IT, G, UK/D665:AEP, UK, G)	C812	1-124-618-11	ELECT	2200uF 20% 35V (D565:AUS/D665:AUS, E, SP)
C760	1-162-815-11	CERAMIC	47PF 5% 500V	C812	1-126-953-11	ELECT	2200uF 20% 35V (D565:AEP, IT, G, UK/D665:AEP, UK, G)
C761	1-164-159-11	CERAMIC	0. 1uF 50V (D565:AUS/D665:AUS, E, SP)	C813	1-137-375-11	FILM	0. 068uF 5% 50V
C761	1-164-159-21	CERAMIC	0. 1uF 50V (D565:AEP, IT, G, UK/D665:AEP, UK, G)	C814	1-137-375-11	FILM	0. 068uF 5% 50V
C762	1-137-372-11	FILM	0. 022uF 5% 50V	C820	1-161-494-00	CERAMIC	0. 022uF 25V
C801	1-104-664-11	ELECT	47uF 20% 25V (D565:AEP, IT, G, UK/D665:AEP, UK, G)	C821	1-161-494-00	CERAMIC	0. 022uF 25V
C801	1-124-477-11	ELECT	47uF 20% 25V (D565:AUS/D665:AUS, E, SP)	C822	1-104-664-11	ELECT	47uF 20% 25V (D565:AEP, IT, G, UK/D665:AEP, UK, G)
C802	1-104-664-11	ELECT	47uF 20% 25V (D565:AEP, IT, G, UK/D665:AEP, UK, G)	C822	1-124-477-11	ELECT	47uF 20% 25V (D565:AUS/D665:AUS, E, SP)
C802	1-124-477-11	ELECT	47uF 20% 25V (D565:AUS/D665:AUS, E, SP)	C823	1-104-664-11	ELECT	47uF 20% 25V (D565:AEP, IT, G, UK/D665:AEP, UK, G)
C803	1-107-766-11	ELECT	8200uF 20% 71V (D665:AUS, E)	C823	1-124-477-11	ELECT	47uF 20% 25V (D565:AUS/D665:AUS, E, SP)
C803	1-125-556-11	ELECT (BLOCK)	8200uF 20% 56V (D665:AEP, UK, G, SP)	C950	1-126-942-61	ELECT	1000uF 20% 16V (D565:AUS/D665:AUS, E, SP)
C803	1-128-506-11	ELECT	6800uF 20% 50V (D565:AEP, IT, G, UK)	C950	1-126-952-11	ELECT	1000uF 20% 16V (D565:AEP, IT, G, UK/D665:AEP, UK, G)
C803	1-128-591-11	ELECT	6800uF 20% 56V (D565:AUS)	C951	1-164-097-11	CERAMIC	0. 022uF 50V
C804	1-107-766-11	ELECT	8200uF 20% 71V (D665:AUS, E)	C952	1-124-903-11	ELECT	1uF 20% 50V
C804	1-125-556-11	ELECT (BLOCK)	8200uF 20% 56V (D665:AEP, UK, G, SP)	C953	1-124-464-11	ELECT	0. 22uF 20% 50V
C804	1-128-506-11	ELECT	6800uF 20% 50V (D565:AEP, IT, G, UK)	C954	1-124-907-11	ELECT	10uF 20% 50V (D565:AUS/D665:AUS, E, SP)
C804	1-128-591-11	ELECT	6800uF 20% 56V (D565:AUS)	C954	1-126-964-11	ELECT	10uF 20% 50V (D565:AEP, IT, G, UK/D665:AEP, UK, G)
C805	1-130-781-00	FILM	0. 22uF 10% 100V (D565:AEP, IT, G, UK, AUS/D665:AEP, UK, G, AUS)	C955	1-164-159-21	CERAMIC	0. 1uF 50V
C805	1-137-420-11	FILM	0. 047uF 10% 100V (D665:E, SP)	CC01	1-162-282-31	CERAMIC	100PF 10% 50V (D565:AEP, IT, G, UK/D665:AEP, UK, G)
C806	1-130-781-00	FILM	0. 22uF 10% 100V (D565:AEP, IT, G, UK, AUS/D665:AEP, UK, G, AUS)	CC02	1-162-282-31	CERAMIC	100PF 10% 50V (D565:AEP, IT, G, UK/D665:AEP, UK, G)
C806	1-137-420-11	FILM	0. 047uF 10% 100V (D665:E, SP)	CC03	1-162-282-31	CERAMIC	100PF 10% 50V (D565:AEP, IT, G, UK/D665:AEP, UK, G)
C807	1-104-664-11	ELECT	47uF 20% 25V (D565:AEP, IT, G, UK/D665:AEP, UK, G)	CC04	1-162-282-31	CERAMIC	100PF 10% 50V (D565:AEP, IT, G, UK/D665:AEP, UK, G)
C807	1-124-477-11	ELECT	47uF 20% 25V (D565:AUS/D665:AUS, E, SP)	CC05	1-162-282-31	CERAMIC	100PF 10% 50V (D565:AEP, IT, G, UK/D665:AEP, UK, G)
C808	1-104-664-11	ELECT	47uF 20% 25V (D565:AEP, IT, G, UK/D665:AEP, UK, G)	CC06	1-162-282-31	CERAMIC	100PF 10% 50V (D565:AEP, IT, G, UK/D665:AEP, UK, G)
C808	1-124-477-11	ELECT	47uF 20% 25V (D565:AUS/D665:AUS, E, SP)	CC07	1-162-282-31	CERAMIC	100PF 10% 50V (D565:AEP, IT, G, UK/D665:AEP, UK, G)
C809	1-124-903-11	ELECT	1uF 20% 50V	CC12	1-164-096-11	CERAMIC	0. 01uF 50V (D565:AEP, IT, G, UK/D665:AEP, UK, G)
C810	1-124-903-11	ELECT	1uF 20% 50V	CC13	1-164-096-11	CERAMIC	0. 01uF 50V (D565:AEP, IT, G, UK/D665:AEP, UK, G)
C811	1-124-618-11	ELECT	2200uF 20% 35V (D565:AUS/D665:AUS, E, SP)	CC14	1-164-096-11	CERAMIC	0. 01uF 50V (D565:AEP, IT, G, UK/D665:AEP, UK, G)
C811	1-126-953-11	ELECT	2200uF 20% 35V (D565:AEP, IT, G, UK/D665:AEP, UK, G)	CC15	1-164-096-11	CERAMIC	0. 01uF 50V (D565:AEP, IT, G, UK/D665:AEP, UK, G)
				CC20	1-164-159-21	CERAMIC	0. 1uF 50V (D565:AEP, IT, G, UK/D665:AEP, UK, G)
				CC21	1-164-159-21	CERAMIC	0. 1uF 50V (D565:AEP, IT, G, UK/D665:AEP, UK, G)

MAIN

Ref. No.	Part No.	Description	Remark	Ref. No.	Part No.	Description	Remark
CC22	1-164-159-21	CERAMIC 0.1uF 50V (D565:AEP, IT, G, UK/D665:AEP, UK, G)		D708	8-719-815-85	DIODE 1S1585 (D565:AEP, IT, G, UK/D665:AEP, UK, G)	
CC51	1-162-282-31	CERAMIC 100PF 10% 50V (D565:AEP, IT, G, UK/D665:AEP, UK, G)		D708	8-719-987-63	DIODE 1N4148M (D565:AUS/D665:AUS, E, SP)	
CC52	1-162-282-31	CERAMIC 100PF 10% 50V (D565:AEP, IT, G, UK/D665:AEP, UK, G)		D709	8-719-815-85	DIODE 1S1585 (D565:AEP, IT, G, UK/D665:AEP, UK, G)	
CC53	1-162-282-31	CERAMIC 100PF 10% 50V (D565:AEP, IT, G, UK/D665:AEP, UK, G)		D709	8-719-987-63	DIODE 1N4148M (D565:AUS/D665:AUS, E, SP)	
CC54	1-162-282-31	CERAMIC 100PF 10% 50V (D565:AEP, IT, G, UK/D665:AEP, UK, G)		D710	8-719-815-85	DIODE 1S1585	
CC55	1-162-282-31	CERAMIC 100PF 10% 50V (D565:AEP, IT, G, UK/D665:AEP, UK, G)		D751	8-719-933-41	DIODE HZS6C3L	
CC56	1-162-282-31	CERAMIC 100PF 10% 50V (D565:AEP, IT, G, UK/D665:AEP, UK, G)		D752	8-719-815-85	DIODE 1S1585 (D565:AEP, IT, G, UK/D665:AEP, UK, G)	
CC57	1-162-282-31	CERAMIC 100PF 10% 50V (D565:AEP, IT, G, UK/D665:AEP, UK, G)		D752	8-719-987-63	DIODE 1N4148M (D565:AUS/D665:AUS, E, SP)	
CC62	1-164-096-11	CERAMIC 0.01uF 50V (D565:AEP, IT, G, UK/D665:AEP, UK, G)		D753	8-719-815-85	DIODE 1S1585	
CC63	1-164-096-11	CERAMIC 0.01uF 50V (D565:AEP, IT, G, UK/D665:AEP, UK, G)		D801	8-719-002-33	DIODE UZL-24L	
< CONNECTOR >				D802	8-719-302-38	DIODE RBV-602-01	
CNP251	1-770-494-21	CONNECTOR, BOARD TO BOARD 7P		D803	8-719-025-03	DIODE RBA-402-SL	
CNP404	1-770-495-21	CONNECTOR, BOARD TO BOARD 9P		D804	8-719-010-38	DIODE UZ-5.1BSB	
CNP702	1-750-388-11	PIN, CONNECTOR 5P		D810	8-719-024-99	DIODE 11ES2-NTA2B (D565:AUS/D665:AUS, E, SP)	
CNP706	1-764-477-11	PIN, CONNECTOR (PC BOARD) 8P		D810	8-719-200-82	DIODE 11ES2 (D565:AEP, IT, G, UK/D665:AEP, UK, G)	
CNP802	1-770-479-11	PLUG, CONNECTOR PIN(PC BOARD) 4P		D811	8-719-024-99	DIODE 11ES2-NTA2B (D565:AUS/D665:AUS, E, SP)	
CNS204	1-764-928-11	CONNECTOR, FFC (LIF (NON-ZIF)) 23P		D811	8-719-200-82	DIODE 11ES2 (D565:AEP, IT, G, UK/D665:AEP, UK, G)	
* CNS701	1-764-914-11	CONNECTOR, FFC (LIF (NON-ZIF)) 9P		D812	8-719-024-99	DIODE 11ES2-NTA2B (D565:AUS/D665:AUS, E, SP)	
< DIODE >				D812	8-719-200-82	DIODE 11ES2 (D565:AEP, IT, G, UK/D665:AEP, UK, G)	
D600	8-719-815-85	DIODE 1S1585 (D565:AEP, IT, G, UK/D665:AEP, UK, G)		D813	8-719-024-99	DIODE 11ES2-NTA2B (D565:AUS/D665:AUS, E, SP)	
D600	8-719-987-63	DIODE 1N4148M (D565:AUS/D665:AUS, E, SP)		D813	8-719-200-82	DIODE 11ES2 (D565:AEP, IT, G, UK/D665:AEP, UK, G)	
D601	8-719-933-41	DIODE HZS6C3L		D814	8-719-815-85	DIODE 1S1585 (D565:AEP, IT, G, UK/D665:AEP, UK, G)	
D602	8-719-815-85	DIODE 1S1585 (D565:AEP, IT, G, UK/D665:AEP, UK, G)		D814	8-719-987-63	DIODE 1N4148M (D565:AUS/D665:AUS, E, SP)	
D602	8-719-987-63	DIODE 1N4148M (D565:AUS/D665:AUS, E, SP)		D815	8-719-815-85	DIODE 1S1585 (D565:AEP, IT, G, UK/D665:AEP, UK, G)	
D603	8-719-815-85	DIODE 1S1585		D815	8-719-987-63	DIODE 1N4148M (D565:AUS/D665:AUS, E, SP)	
D701	8-719-933-41	DIODE HZS6C3L		D817	8-719-001-30	DIODE UZL-9H3 (D565:AUS/D665:AUS, E, SP)	
D702	8-719-815-85	DIODE 1S1585 (D565:AEP, IT, G, UK/D665:AEP, UK, G)		D817	8-719-048-54	DIODE MTZJ-10A (D565:AEP, IT, G, UK/D665:AEP, UK, G)	
D702	8-719-987-63	DIODE 1N4148M (D565:AUS/D665:AUS, E, SP)		D818	8-719-815-85	DIODE 1S1585 (D565:AEP, IT, G, UK/D665:AEP, UK, G)	
D703	8-719-815-85	DIODE 1S1585		D818	8-719-987-63	DIODE 1N4148M (D565:AUS/D665:AUS, E, SP)	
D704	8-719-815-85	DIODE 1S1585		< GROUND TERMINAL >			
D706	8-719-815-85	DIODE 1S1585 (D565:AEP, IT, G, UK/D665:AEP, UK, G)		G200	1-537-770-21	TERMINAL BOARD, GROUND	
D706	8-719-987-63	DIODE 1N4148M (D565:AUS/D665:AUS, E, SP)		G201	1-537-770-21	TERMINAL BOARD, GROUND	
D707	8-719-815-85	DIODE 1S1585 (D565:AEP, IT, G, UK/D665:AEP, UK, G)		G202	1-537-770-21	TERMINAL BOARD, GROUND	
D707	8-719-987-63	DIODE 1N4148M (D565:AUS/D665:AUS, E, SP)		< IC >			
				IC1	8-759-169-99	IC SAA6579 (D565:AEP, IT, G, UK/D665:AEP, UK, G)	

Ref. No.	Part No.	Description	Remark	Ref. No.	Part No.	Description	Remark
IC2	8-759-636-74	IC M5218AP-22 (D565:AEP, IT, G, UK/D665:AEP, UK, G)		Q602	8-729-119-78	TRANSISTOR 2SC2785-HFE	
IC300	8-759-341-23	IC LV1011		Q603	8-729-119-78	TRANSISTOR 2SC2785-HFE	
IC301	8-759-248-74	IC LA2785		Q604	8-729-119-78	TRANSISTOR 2SC2785-HFE	
IC302	8-759-636-74	IC M5218AP-22		Q605	8-729-122-13	TRANSISTOR 2SA1221-K	
IC401	8-759-805-14	IC LC7822		Q606	8-729-195-82	TRANSISTOR 2SC2958-L	
IC402	8-759-636-74	IC M5218AP-22		Q607	8-729-141-30	TRANSISTOR 2SC3623A-LK	
IC651	8-759-085-89	IC LM3875-S (D665)		Q608	8-749-010-25	IC MN2488-OPY-M (D665)	
IC651	8-759-502-33	IC SI18752 (D565)		Q608	8-729-020-52	TRANSISTOR 2SD2439-OPY (D565)	
IC801	8-759-287-58	IC TA78M12P		Q609	8-749-010-26	IC MP1620-OPY-M (D665)	
IC802	8-759-604-45	IC M5F79M12L		Q609	8-729-020-48	TRANSISTOR 2SB1588-OPY (D565)	
IC950	8-759-333-83	IC NJM2103D		Q610	8-729-140-82	TRANSISTOR 2SA988-PAFAEA	
		< JACK >		Q615	8-729-119-76	TRANSISTOR 2SA1175-HFE	
J401	1-695-188-21	JACK, PIN 4P (PHONO/CD IN)		Q701	8-729-620-18	TRANSISTOR 2SA979-FG	
J402	1-580-825-11	JACK, PIN 6P (TAPE/MD REC IN/OUT, TV/LD AUDIO IN)		Q702	8-729-119-78	TRANSISTOR 2SC2785-HFE	
J403	1-573-028-21	JACK, PIN 4P (AUDIO IN/OUT (VIDEO)) (D565:AUS/D665:AUS, E, SP)		Q703	8-729-140-82	TRANSISTOR 2SA988-PAFAEA	
J403	1-695-188-21	JACK, PIN 4P (AUDIO IN/OUT (VIDEO)) (D565:AEP, IT, G, UK/D665:AEP, UK, G)		Q704	8-729-119-78	TRANSISTOR 2SC2785-HFE	
		< COIL >		Q705	8-729-122-13	TRANSISTOR 2SA1221-K	
L1	1-410-521-11	INDUCTOR 100uH (D565:AEP, IT, G, UK/D665:AEP, UK, G)		Q706	8-729-195-82	TRANSISTOR 2SC2958-L	
L301	1-410-509-11	INDUCTOR 10uH		Q707	8-729-141-30	TRANSISTOR 2SC3623A-LK	
L302	1-410-509-11	INDUCTOR 10uH		Q708	8-729-020-52	TRANSISTOR 2SD2439-OPY (D565)	
L401	1-410-509-11	INDUCTOR 10uH (D565:AEP, IT, G, UK/D665:AEP, UK, G)		Q708	8-749-010-25	IC MN2488-OPY-M (D665)	
L601	1-420-872-00	COIL, AIR-CORE		Q709	8-749-010-26	IC MP1620-OPY-M (D665)	
L651	1-420-872-00	COIL, AIR-CORE		Q709	8-729-020-48	TRANSISTOR 2SB1588-OPY (D565)	
L701	1-420-872-00	COIL, AIR-CORE		Q710	8-729-140-82	TRANSISTOR 2SA988-PAFAEA	
L751	1-420-872-00	COIL, AIR-CORE		Q711	8-729-119-78	TRANSISTOR 2SC2785-HFE	
		< TRANSISTOR >		Q712	8-729-140-82	TRANSISTOR 2SA988-PAFAEA	
Q305	8-729-141-30	TRANSISTOR 2SC3623A-LK (D565:AUS/D665:AUS, E, SP)		Q713	8-729-140-84	TRANSISTOR 2SC1841-PAFAEA	
Q305	8-729-922-37	TRANSISTOR 2SD2144S-UVW (D565:AEP, IT, G, UK/D665:AEP, UK, G)		Q714	8-729-119-78	TRANSISTOR 2SC2785-HFE	
Q306	8-729-141-30	TRANSISTOR 2SC3623A-LK (D565:AUS/D665:AUS, E, SP)		Q715	8-729-119-76	TRANSISTOR 2SA1175-HFE	
Q306	8-729-922-37	TRANSISTOR 2SD2144S-UVW (D565:AEP, IT, G, UK/D665:AEP, UK, G)		Q751	8-729-620-18	TRANSISTOR 2SA979-FG	
Q307	8-729-141-30	TRANSISTOR 2SC3623A-LK (D565:AUS/D665:AUS, E, SP)		Q752	8-729-119-78	TRANSISTOR 2SC2785-HFE	
Q307	8-729-922-37	TRANSISTOR 2SD2144S-UVW (D565:AEP, IT, G, UK/D665:AEP, UK, G)		Q753	8-729-140-82	TRANSISTOR 2SA988-PAFAEA	
Q308	8-729-141-30	TRANSISTOR 2SC3623A-LK (D565:AUS/D665:AUS, E, SP)		Q754	8-729-119-78	TRANSISTOR 2SC2785-HFE	
Q308	8-729-922-37	TRANSISTOR 2SD2144S-UVW (D565:AEP, IT, G, UK/D665:AEP, UK, G)		Q755	8-729-122-13	TRANSISTOR 2SA1221-K	
Q600	8-729-140-82	TRANSISTOR 2SA988-PAFAEA		Q756	8-729-195-82	TRANSISTOR 2SC2958-L	
Q601	8-729-620-18	TRANSISTOR 2SA979-FG		Q757	8-729-141-30	TRANSISTOR 2SC3623A-LK	
				Q758	8-749-010-25	IC MN2488-OPY-M (D665)	
				Q758	8-729-020-52	TRANSISTOR 2SD2439-OPY (D565)	
				Q759	8-749-010-26	IC MP1620-OPY-M (D665)	
				Q759	8-729-020-48	TRANSISTOR 2SB1588-OPY (D565)	
				Q760	8-729-140-82	TRANSISTOR 2SA988-PAFAEA	
				Q765	8-729-119-76	TRANSISTOR 2SA1175-HFE	
				Q801	8-729-140-97	TRANSISTOR 2SB734-34	
				Q802	8-729-119-78	TRANSISTOR 2SC2785-HFE	
				Q808	8-729-180-92	TRANSISTOR 2SD809-K	
				Q809	8-729-119-78	TRANSISTOR 2SC2785-HFE	
				Q951	8-729-030-18	TRANSISTOR 2SD2525	

MAIN

Ref. No.	Part No.	Description	Remark	Ref. No.	Part No.	Description	Remark
		< RESISTOR >					
R1	1-247-863-91	CARBON 22K 5% 1/4W (D565:AEP, IT, G, UK/D665:AEP, UK, G)		R417	1-247-897-11	CARBON 560K 5% 1/4W	
R2	1-249-426-11	CARBON 5.6K 5% 1/4W (D565:AEP, IT, G, UK/D665:AEP, UK, G)		R419	1-249-441-11	CARBON 100K 5% 1/4W	
R3	1-249-441-11	CARBON 100K 5% 1/4W (D565:AEP, IT, G, UK/D665:AEP, UK, G)		R435	1-249-418-11	CARBON 1.2K 5% 1/4W F	
R4	1-249-441-11	CARBON 100K 5% 1/4W (D565:AEP, IT, G, UK/D665:AEP, UK, G)		R442	1-249-418-11	CARBON 1.2K 5% 1/4W F	
R5	1-249-421-11	CARBON 2.2K 5% 1/4W F (D565:AEP, IT, G, UK/D665:AEP, UK, G)		R443	1-249-418-11	CARBON 1.2K 5% 1/4W F	
R6	1-247-807-31	CARBON 100 5% 1/4W (D565:AEP, IT, G, UK/D665:AEP, UK, G)		R447	1-249-416-11	CARBON 820 5% 1/4W F	
R7	1-247-807-31	CARBON 100 5% 1/4W (D565:AEP, IT, G, UK/D665:AEP, UK, G)		R448	1-249-429-11	CARBON 10K 5% 1/4W	
R300	1-247-903-00	CARBON 1M 5% 1/4W		R449	1-247-863-91	CARBON 22K 5% 1/4W (D565:AEP, IT, G, UK/D665:AEP, UK, G)	
R301	1-249-421-11	CARBON 2.2K 5% 1/4W F		R449	1-249-433-11	CARBON 22K 5% 1/4W (D565:AUS/D665:AUS, E, SP)	
R302	1-249-421-11	CARBON 2.2K 5% 1/4W F		R451	1-249-411-11	CARBON 330 5% 1/4W	
R304	1-249-441-11	CARBON 100K 5% 1/4W		R452	1-249-425-11	CARBON 4.7K 5% 1/4W F	
R306	1-249-436-11	CARBON 39K 5% 1/4W		R453	1-249-417-11	CARBON 1K 5% 1/4W F	
R307	1-249-432-11	CARBON 18K 5% 1/4W		R454	1-249-417-11	CARBON 1K 5% 1/4W F	
R308	1-249-421-11	CARBON 2.2K 5% 1/4W F		R455	1-249-417-11	CARBON 1K 5% 1/4W F	
R309	1-249-421-11	CARBON 2.2K 5% 1/4W F		R456	1-249-417-11	CARBON 1K 5% 1/4W F	
R353	1-249-425-11	CARBON 4.7K 5% 1/4W F		R457	1-249-417-11	CARBON 1K 5% 1/4W F	
R354	1-249-425-11	CARBON 4.7K 5% 1/4W F		R458	1-249-429-11	CARBON 10K 5% 1/4W	
R355	1-249-425-11	CARBON 4.7K 5% 1/4W F		R459	1-249-437-11	CARBON 47K 5% 1/4W	
R356	1-249-425-11	CARBON 4.7K 5% 1/4W F		R460	1-247-897-11	CARBON 560K 5% 1/4W	
R357	1-249-441-11	CARBON 100K 5% 1/4W		R461	1-249-416-11	CARBON 820 5% 1/4W F	
R358	1-249-441-11	CARBON 100K 5% 1/4W		R462	1-247-897-11	CARBON 560K 5% 1/4W	
R359	1-249-429-11	CARBON 10K 5% 1/4W		R463	1-249-437-11	CARBON 47K 5% 1/4W	
R360	1-249-421-11	CARBON 2.2K 5% 1/4W F		R466	1-249-417-11	CARBON 1K 5% 1/4W F	
R361	1-249-429-11	CARBON 10K 5% 1/4W		R467	1-247-897-11	CARBON 560K 5% 1/4W	
R362	1-249-429-11	CARBON 10K 5% 1/4W		R469	1-249-441-11	CARBON 100K 5% 1/4W	
R363	1-249-411-11	CARBON 330 5% 1/4W		R601	1-249-417-11	CARBON 1K 5% 1/4W F	
R365	1-249-417-11	CARBON 1K 5% 1/4W F		R602	1-249-435-11	CARBON 33K 5% 1/4W	
R366	1-249-417-11	CARBON 1K 5% 1/4W F		R603	1-249-409-11	CARBON 220 5% 1/4W F (D665:AUS, E)	
R401	1-249-411-11	CARBON 330 5% 1/4W		R603	1-249-411-11	CARBON 330 5% 1/4W (D565/D665:AEP, UK, G, SP)	
R402	1-249-425-11	CARBON 4.7K 5% 1/4W F		R604	1-249-434-11	CARBON 27K 5% 1/4W	
R403	1-249-417-11	CARBON 1K 5% 1/4W F		R605	1-249-415-11	CARBON 680 5% 1/4W F	
R404	1-249-417-11	CARBON 1K 5% 1/4W F		△R606	1-249-409-11	CARBON 220 5% 1/4W F	
R405	1-249-417-11	CARBON 1K 5% 1/4W F		R607	1-249-421-11	CARBON 2.2K 5% 1/4W F	
R406	1-249-417-11	CARBON 1K 5% 1/4W F		R608	1-247-863-91	CARBON 22K 5% 1/4W (D565:AEP, IT, G, UK/D665:AEP, UK, G)	
R407	1-249-417-11	CARBON 1K 5% 1/4W F		R608	1-249-433-11	CARBON 22K 5% 1/4W (D565:AUS/D665:AUS, E, SP)	
R408	1-249-429-11	CARBON 10K 5% 1/4W		△R609	1-249-409-11	CARBON 220 5% 1/4W F	
R409	1-249-437-11	CARBON 47K 5% 1/4W		R610	1-249-414-11	CARBON 560 5% 1/4W F	
R410	1-247-897-11	CARBON 560K 5% 1/4W		R611	1-249-426-11	CARBON 5.6K 5% 1/4W	
R411	1-249-416-11	CARBON 820 5% 1/4W F		R612	1-249-422-11	CARBON 2.7K 5% 1/4W F	
R412	1-247-897-11	CARBON 560K 5% 1/4W		△R613	1-212-865-01	FUSIBLE 22 5% 1/4W F (AEP, UK, IT, G, SP)	
R413	1-249-437-11	CARBON 47K 5% 1/4W		△R613	1-249-397-11	CARBON 22 5% 1/4W F (E, AUS)	
R414	1-249-425-11	CARBON 4.7K 5% 1/4W F		R615	1-249-414-11	CARBON 560 5% 1/4W F	
R416	1-249-417-11	CARBON 1K 5% 1/4W F					

Ref. No.	Part No.	Description	Remark	Ref. No.	Part No.	Description	Remark
△R616	1-212-865-01	FUSIBLE	22 5% 1/4W F (AEP, UK, IT, G, SP)	R717	1-249-421-11	CARBON	2.2K 5% 1/4W F
△R616	1-249-397-11	CARBON	22 5% 1/4W F (E, AUS)	R718	1-249-393-11	CARBON	10 5% 1/4W F
R617	1-249-421-11	CARBON	2.2K 5% 1/4W F	△R719	1-249-393-11	CARBON	10 5% 1/4W F
△R618	1-249-393-11	CARBON	10 5% 1/4W F	△R720	1-233-352-21	ENCAPSULATED COMPONENT	0.22/0.22
△R619	1-249-393-11	CARBON	10 5% 1/4W F	R721	1-249-437-11	CARBON	47K 5% 1/4W
△R620	1-233-352-21	ENCAPSULATED COMPONENT		R722	1-249-425-11	CARBON	4.7K 5% 1/4W F
R621	1-249-437-11	CARBON	47K 5% 1/4W	R723	1-249-431-11	CARBON	15K 5% 1/4W
R622	1-249-425-11	CARBON	4.7K 5% 1/4W F	△R724	1-249-393-11	CARBON	10 5% 1/4W F
R623	1-249-431-11	CARBON	15K 5% 1/4W	△R725	1-249-389-11	CARBON	4.7 5% 1/4W F
△R624	1-249-393-11	CARBON	10 5% 1/4W F	R727	1-249-437-11	CARBON	47K 5% 1/4W
△R625	1-249-389-11	CARBON	4.7 5% 1/4W F	△R729	1-249-887-11	CARBON	33 5% 1/4W F (E, AUS)
R626	1-249-435-11	CARBON	33K 5% 1/4W	△R730	1-249-887-11	CARBON	33 5% 1/4W F (E, AUS)
R627	1-249-435-11	CARBON	33K 5% 1/4W	R731	1-249-429-11	CARBON	10K 5% 1/4W
R635	1-247-887-00	CARBON	220K 5% 1/4W (D665)	R732	1-249-417-11	CARBON	1K 5% 1/4W F
R638	1-249-424-11	CARBON	3.9K 5% 1/4W F	R733	1-249-435-11	CARBON	33K 5% 1/4W
R651	1-249-438-11	CARBON	56K 5% 1/4W	R734	1-249-427-11	CARBON	6.8K 5% 1/4W F
R652	1-249-417-11	CARBON	1K 5% 1/4W F	R735	1-247-887-00	CARBON	220K 5% 1/4W (D665)
R653	1-249-411-11	CARBON	330 5% 1/4W	R737	1-249-429-11	CARBON	10K 5% 1/4W
R654	1-249-435-11	CARBON	33K 5% 1/4W	R738	1-249-424-11	CARBON	3.9K 5% 1/4W F
R655	1-249-426-11	CARBON	5.6K 5% 1/4W	R739	1-249-429-11	CARBON	10K 5% 1/4W (D665)
△R658	1-249-393-11	CARBON	10 5% 1/4W F	R751	1-249-421-11	CARBON	2.2K 5% 1/4W F
△R659	1-249-389-11	CARBON	4.7 5% 1/4W F	R752	1-249-435-11	CARBON	33K 5% 1/4W
R660	1-249-437-11	CARBON	47K 5% 1/4W	R753	1-249-409-11	CARBON	220 5% 1/4W F (D665:AUS, E)
R701	1-249-421-11	CARBON	2.2K 5% 1/4W F	R753	1-249-411-11	CARBON	330 5% 1/4W (D565/D665:AEP, UK, G, SP)
R702	1-249-435-11	CARBON	33K 5% 1/4W	R754	1-249-434-11	CARBON	27K 5% 1/4W
R703	1-249-409-11	CARBON	220 5% 1/4W F (D665:AUS, E)	R755	1-249-415-11	CARBON	680 5% 1/4W F
R703	1-249-411-11	CARBON	330 5% 1/4W (D565/D665:AEP, UK, G, SP)	△R756	1-249-409-11	CARBON	220 5% 1/4W F
R704	1-249-434-11	CARBON	27K 5% 1/4W	R757	1-249-421-11	CARBON	2.2K 5% 1/4W F
R705	1-249-415-11	CARBON	680 5% 1/4W F	R758	1-247-863-91	CARBON	22K 5% 1/4W (D565:AEP, IT, G, UK/D665:AEP, UK, G)
△R706	1-249-409-11	CARBON	220 5% 1/4W F	R758	1-249-433-11	CARBON	22K 5% 1/4W (D565:AUS/D665:AUS, E, SP)
R707	1-249-421-11	CARBON	2.2K 5% 1/4W F	△R759	1-249-409-11	CARBON	220 5% 1/4W F
R708	1-247-863-91	CARBON	22K 5% 1/4W (D565:AEP, IT, G, UK/D665:AEP, UK, G)	R760	1-249-435-11	CARBON	33K 5% 1/4W
R708	1-249-433-11	CARBON	22K 5% 1/4W (D565:AUS/D665:AUS, E, SP)	R761	1-249-414-11	CARBON	560 5% 1/4W F
△R709	1-249-409-11	CARBON	220 5% 1/4W F	R762	1-249-422-11	CARBON	2.7K 5% 1/4W F
R710	1-249-435-11	CARBON	33K 5% 1/4W	△R763	1-212-865-01	FUSIBLE	22 5% 1/4W F (AEP, UK, IT, G, SP)
R711	1-249-414-11	CARBON	560 5% 1/4W F	△R763	1-249-397-11	CARBON	22 5% 1/4W F (E, AUS)
R712	1-249-422-11	CARBON	2.7K 5% 1/4W F	R765	1-249-414-11	CARBON	560 5% 1/4W F
△R713	1-212-865-01	FUSIBLE	22 5% 1/4W F (AEP, UK, IT, G, SP)	△R766	1-212-865-01	FUSIBLE	22 5% 1/4W F (AEP, UK, IT, G, SP)
△R713	1-249-397-11	CARBON	22 5% 1/4W F (E, AUS)	△R766	1-249-397-11	CARBON	22 5% 1/4W F (E, AUS)
R715	1-249-414-11	CARBON	560 5% 1/4W F	R767	1-249-421-11	CARBON	2.2K 5% 1/4W F
△R716	1-212-865-01	FUSIBLE	22 5% 1/4W F (AEP, UK, IT, G, SP)	△R768	1-249-393-11	CARBON	10 5% 1/4W F
△R716	1-249-397-11	CARBON	22 5% 1/4W F (E, AUS)	△R769	1-249-393-11	CARBON	10 5% 1/4W F

The components identified by mark △ or dotted line with mark △ are critical for safety. Replace only with part number specified.

MAIN PRIMARY SP SW

Ref. No.	Part No.	Description	Remark	Ref. No.	Part No.	Description	Remark
△R770	1-233-352-21	ENCAPSULATED COMPONENT 0.22/0.22				< RELAY >	
R771	1-249-437-11	CARBON	47K 5% 1/4W	RY601	1-515-920-11	RELAY (24V)	
R772	1-249-425-11	CARBON	4.7K 5% 1/4W F	RY701	1-515-920-11	RELAY (24V)	
R773	1-249-431-11	CARBON	15K 5% 1/4W	RY801	1-515-894-11	RELAY	
△R774	1-249-393-11	CARBON	10 5% 1/4W F			< TERMINAL >	
△R775	1-249-389-11	CARBON	4.7 5% 1/4W F				
R777	1-249-438-11	CARBON	56K 5% 1/4W	TM001	1-537-240-51	TERMINAL BOARD (CHECKER PIN) (ANTENNA)	
R785	1-247-887-00	CARBON	220K 5% 1/4W (D665)			(D665:E)	
R788	1-249-424-11	CARBON	3.9K 5% 1/4W F	TM001	1-537-714-11	TERMINAL BOARD (ANTENNA)	
R801	1-249-423-11	CARBON	3.3K 5% 1/4W F			(D565:AEP, IT, G, UK, AUS/D665:AEP, UK, G, AUS, SP)	
△R802	1-249-887-11	CARBON	33 5% 1/4W F	TM601	1-537-510-11	TERMINAL BOARD (SURROUND SPEAKERS) (6P)	
				TM701	1-537-376-11	TERMINAL BOARD (FRONT SPEAKERS)	
△R805	1-216-446-00	METAL OXIDE	18 5% 2W F			< TUNER >	
			(E, AUS)				
△R805	1-249-455-11	CARBON	4.7 5% 1/4W F	TU001	1-233-308-11	ENCAPSULATED COMPONENT	
			(AEP, UK, IT, G, SP)			(D565:AEP, IT, G, UK, AUS/D665)	
R806	1-249-425-11	CARBON	4.7K 5% 1/4W F			< VIBRATOR >	
R807	1-249-437-11	CARBON	47K 5% 1/4W				
△R808	1-202-860-00	THERMISTOR	100 (D665:AEP, UK, G)	X1	1-579-900-21	VIBRATOR, CRYSTAL (4.33MHz)	
						(D565:AEP, IT, G, UK/D665:AEP, UK, G)	
△R808	1-249-405-11	CARBON	100 5% 1/4W	X301	1-579-952-21	VIBRATOR, CERAMIC (8MHz)	
			(D565/D665:AUS, E, SP)				
R822	1-249-407-11	CARBON	150 5% 1/4W F	*****			
R823	1-249-437-11	CARBON	47K 5% 1/4W	*	1-655-985-11	PRIMARY BOARD	
R824	1-249-425-11	CARBON	4.7K 5% 1/4W F			*****	
R950	1-249-421-11	CARBON	2.2K 5% 1/4W F			(D565/D665:AEP, UK, G, AUS, SP)	

R951	1-249-429-11	CARBON	10K 5% 1/4W	*	1-655-750-11	SP SW BOARD	
R952	1-249-423-11	CARBON	3.3K 5% 1/4W F			*****	
R953	1-247-863-91	CARBON	22K 5% 1/4W			< JACK >	
			(D565:AEP, IT, G, UK/D665:AEP, UK, G)				
R953	1-249-433-11	CARBON	22K 5% 1/4W	J741	1-750-733-11	JACK (LARGE TYPE) (PHONES)	
			(D565:AUS/D665:AUS, E, SP)			< RESISTOR >	
R954	1-249-439-11	CARBON	68K 5% 1/4W				
R955	1-249-429-11	CARBON	10K 5% 1/4W	R741	1-247-753-11	CARBON	1.2K 5% 1/2W
R956	1-249-423-11	CARBON	3.3K 5% 1/4W F			(D565:AUS/D665:AUS, E, SP)	
R957	1-249-417-11	CARBON	1K 5% 1/4W F	R741	1-260-100-11	CARBON	1.2K 5% 1/2W
R960	1-249-429-11	CARBON	10K 5% 1/4W			(D565:AEP, IT, G, UK/D665:AEP, UK, G)	
RR01	1-249-418-11	CARBON	1.2K 5% 1/4W F	R742	1-247-753-11	CARBON	1.2K 5% 1/2W
			(D565:AEP, IT, G, UK/D665:AEP, UK, G)			(D565:AUS/D665:AUS, E, SP)	
RR04	1-249-393-11	CARBON	10 5% 1/4W F	R742	1-260-100-11	CARBON	1.2K 5% 1/2W
			(D565:AEP, IT, G, UK/D665:AEP, UK, G)			(D565:AEP, IT, G, UK/D665:AEP, UK, G)	
RR05	1-249-393-11	CARBON	10 5% 1/4W F	R791	1-247-753-11	CARBON	1.2K 5% 1/2W
			(D565:AEP, IT, G, UK/D665:AEP, UK, G)			(D565:AUS/D665:AUS, E, SP)	
RR06	1-249-393-11	CARBON	10 5% 1/4W F	R791	1-260-100-11	CARBON	1.2K 5% 1/2W
			(D565:AEP, IT, G, UK/D665:AEP, UK, G)			(D565:AEP, IT, G, UK/D665:AEP, UK, G)	
RR07	1-249-393-11	CARBON	10 5% 1/4W F	R792	1-247-753-11	CARBON	1.2K 5% 1/2W
			(D565:AEP, IT, G, UK/D665:AEP, UK, G)			(D565:AUS/D665:AUS, E, SP)	
RR51	1-249-418-11	CARBON	1.2K 5% 1/4W F	R792	1-260-100-11	CARBON	1.2K 5% 1/2W
			(D565:AEP, IT, G, UK/D665:AEP, UK, G)			(D565:AEP, IT, G, UK/D665:AEP, UK, G)	
RR54	1-249-393-11	CARBON	10 5% 1/4W F				
			(D565:AEP, IT, G, UK/D665:AEP, UK, G)				
RR55	1-249-393-11	CARBON	10 5% 1/4W F				
			(D565:AEP, IT, G, UK/D665:AEP, UK, G)				

The components identified by mark △ or dotted line with mark △ are critical for safety. Replace only with part number specified.

SP SW**SP SW-A****SP SW-B****STBY****STBY SW****TONE**

Ref.No.	Part No.	Description	Remark	Ref.No.	Part No.	Description	Remark
		< SWITCH >				< TRANSFORMER >	
S701	1-762-319-11	SWITCH, PUSH (2 KEY)(SPEAKERS A/B)		△T902	1-450-358-11	TRANSFORMER, POWER (D565:AEP, IT, G, UK, AUS/D665)	
*****				*****			
*	1-655-754-11	SP SW-A BOARD *****		*	1-656-317-11	STBY SW BOARD (E, AUS) *****	
*****				*****			
*	1-655-755-11	SP SW-B BOARD *****				< SWITCH >	
		< CONNECTOR >		S200	1-554-303-21	SWITCH, TACTILE (POWER) (D565:AUS/D665:AUS, E)	
CNS702	1-770-378-11	CONNECTOR, BOARD TO BOARD 5P		*****			
*****				*	1-655-749-11	TONE BOARD *****	
*	1-655-752-11	STBY BOARD *****				< CAPACITOR >	
		< CONNECTOR >		C421	1-137-440-11	FILM 0.018uF 5% 50V	
CN902	1-564-321-00	PIN, CONNECTOR 2P (D665:E)		C422	1-124-463-00	ELECT 0.1uF 20% 50V	
△CNJ902	1-540-057-11	OUTLET, AC (POLAR)(D665:E)		C423	1-137-368-11	FILM 0.0047uF 5% 50V	
CNP901	1-564-321-00	PIN, CONNECTOR 2P		C424	1-137-372-11	FILM 0.022uF 5% 50V	
CNP903	1-580-230-11	PIN, CONNECTOR (PC BOARD) 2P (D565:AEP, IT, G, AUS/D665:AEP, G, AUS, SP)		C471	1-137-440-11	FILM 0.018uF 5% 50V	
CNP905	1-564-320-00	PIN, CONNECTOR (B2P-VH) 2P (D665:E)		C472	1-124-463-00	ELECT 0.1uF 20% 50V	
* CNP906	1-564-241-11	PIN, CONNECTOR (B4P-VH) 4P (D665:E)		C473	1-137-368-11	FILM 0.0047uF 5% 50V	
CNS802	1-770-480-11	SOCKET, CONNECTOR PIN 4P		C474	1-137-372-11	FILM 0.022uF 5% 50V	
		< DIODE >				< CONNECTOR >	
D816	8-719-815-85	DIODE 1S1585 (D565:AEP, IT, G, UK/D665:AEP, UK, G)		* CNP203	1-569-799-11	PLUG, CONNECTOR 5P	
D816	8-719-987-63	DIODE 1N4148M (D565:AUS/D665:AUS, E, SP)		CNS401	1-770-399-11	HOUSING, CONNECTOR(PC BOARD) 6P	
		< FUSE >				< DIODE >	
△F902	1-532-203-00	FUSE (T2AL, 250V)(D665:AEP, UK, G, E, SP)		D207	8-719-313-72	LED SEL3810A-CD (BASS BOOST)	
△F902	1-532-259-00	FUSE, TIME LAG (T1.6AL, 250V) (D565/D665:AUS)		D208	8-719-313-72	LED SEL3810A-CD (MUTING -20dB)	
△F903	1-532-259-00	FUSE (T1.6AL 250V)(AEP, IT, G, SP)				< RESISTOR >	
		< FUSE HOLDER >		R210	1-249-435-11	CARBON 33K 5% 1/4W	
FH902	1-533-217-31	HOLDER, FUSE (F902)		R421	1-249-430-11	CARBON 12K 5% 1/4W	
FH903	1-533-217-31	HOLDER, FUSE (F903) (D565:AEP, IT, G/D665:AEP, G, SP)		R422	1-249-422-11	CARBON 2.7K 5% 1/4W F	
FH952	1-533-217-31	HOLDER, FUSE (F902)		R437	1-247-903-00	CARBON 1M 5% 1/4W	
FH953	1-533-217-31	HOLDER, FUSE (F903) (D565:AEP, IT, G/D665:AEP, G, SP)		R440	1-247-903-00	CARBON 1M 5% 1/4W	
		< RELAY >		R471	1-249-430-11	CARBON 12K 5% 1/4W	
△RY901	1-515-720-11	RELAY		R472	1-249-422-11	CARBON 2.7K 5% 1/4W F	
				R479	1-249-415-11	CARBON 680 5% 1/4W F	
				R487	1-247-903-00	CARBON 1M 5% 1/4W	
				R490	1-247-903-00	CARBON 1M 5% 1/4W	
						< VARIABLE RESISTOR >	
				RV421	1-223-362-11	RES, VAR, CARBON 100K/100K (BASS)	
				RV422	1-223-363-11	RES, VAR, CARBON 125K/125K (TREBLE)	

The components identified by mark △ or dotted line with mark △ are critical for safety. Replace only with part number specified.

TONE **TRANS** **V-SELECT** **VIDEO**

Ref.No.	Part No.	Description	Remark	Ref.No.	Part No.	Description	Remark
RV423	1-223-880-11	RES, VAR, CARBON 100K/100K (BALANCE)				< SWITCH >	
S209	1-554-303-21	SWITCH, TACTILE (MUTING -20dB)		S901	1-571-437-11	SWITCH, POWER VOLTAGE CHANGE (D665:E)	
S210	1-554-303-21	SWITCH, TACTILE (BASS BOOST)				*****	
		*****		*	1-655-747-11	VIDEO BOARD	
		*****				*****	
*	1-655-748-11	TRANS BOARD				< CAPACITOR >	

		< CONNECTOR >		C250	1-124-903-11	ELECT	1uF 20% 50V
CNP801	1-764-480-11	PIN, CONNECTOR (PC BOARD) 11P		C251	1-124-903-11	ELECT	1uF 20% 50V
△CNP904	1-575-653-11	CORD, POWER (D665:E)		C252	1-164-159-11	CERAMIC	0.1uF 50V
△CNP904	1-696-847-11	CORD, POWER (D565:AUS/D665:AUS)					(D565:AUS/D665:AUS, E, SP)
△CNP904	1-751-520-11	CORD, POWER (D565:UK/D665:UK)		C252	1-164-159-21	CERAMIC	0.1uF 50V
△CNP904	1-769-744-11	CORD, POWER					(D565:AEP, IT, G, UK/D665:AEP, UK, G)
		(D565:AEP, IT, G/D665:AEP, G, MY, SP)		C253	1-104-664-11	ELECT	47uF 20% 25V
							(D565:AEP, IT, G, UK/D665:AEP, UK, G)
		< FUSE >		C253	1-124-477-11	ELECT	47uF 20% 25V
△F801	1-532-237-00	FUSE, TIME LAG (T3.15AL 250V)					(D565:AUS/D665:AUS, E, SP)
△F802	1-532-237-00	FUSE, TIME LAG (T3.15AL 250V)		C254	1-164-159-11	CERAMIC	0.1uF 50V
							(D565:AUS/D665:AUS, E, SP)
		< FUSE HOLDER >		C254	1-164-159-21	CERAMIC	0.1uF 50V
FH801	1-533-233-11	HOLDER, FUSE (F801)					(D565:AEP, IT, G, UK/D665:AEP, UK, G)
FH802	1-533-233-11	HOLDER, FUSE (F802)		C255	1-104-664-11	ELECT	47uF 20% 25V
FH851	1-533-233-11	HOLDER, FUSE (F801)					(D565:AEP, IT, G, UK/D665:AEP, UK, G)
FH852	1-533-233-11	HOLDER, FUSE (F802)		C255	1-124-477-11	ELECT	47uF 20% 25V
							(D565:AUS/D665:AUS, E, SP)
		< TRANSFORMER >		C256	1-162-215-31	CERAMIC	47PF 5% 50V
△T901	1-426-710-11	TRANSFORMER, POWER (D665:E)		C257	1-162-215-31	CERAMIC	47PF 5% 50V
△T901	1-427-873-11	TRANSFORMER, POWER (D665:AEP, UK, G, MY, SP)					< CONNECTOR >
△T901	1-427-874-11	TRANSFORMER, POWER (D665:AUS)		CNP250	1-770-412-11	CONNECTOR, BOARD TO BOARD 6P	
△T901	1-427-877-11	TRANSFORMER, POWER (D565:AEP, IT, G, UK)					< IC >
△T901	1-427-878-11	TRANSFORMER, POWER (D565:AUS)		IC251	8-759-333-84	IC	NJM2279D
				IC252	8-759-700-65	IC	NJM79L05A
		*****					< JACK >
*	1-655-751-11	V-SELECT BOARD (D665:E)		J251	1-695-317-21	JACK, PIN 2P	
		*****					(VIDEO IN (TV/LD), VIDEO OUT (VIDEO))
		< CONNECTOR >		J252	1-695-317-21	JACK, PIN 2P	
* CNP907	1-565-395-11	PIN, CONNECTOR 3P (D665:E)					(VIDEO IN (VIDEO), VIDEO OUT (MONITOR))
CNP908	1-564-321-00	PIN, CONNECTOR 2P (D665:E)		J253	1-770-377-11	JACK, PIN 1P (MIX OUT) (D665)	
* CNP910	1-564-687-11	PIN, CONNECTOR 3P (D665:E)					< RESISTOR >
				R251	1-247-804-11	CARBON	75 5% 1/4W
		< FUSE >		R252	1-247-804-11	CARBON	75 5% 1/4W
△F904	1-532-203-00	FUSE (T2AL, 250V) (E)		R253	1-247-804-11	CARBON	75 5% 1/4W
				R254	1-247-804-11	CARBON	75 5% 1/4W
		< FUSE HOLDER >		R255	1-249-429-11	CARBON	10K 5% 1/4W
FH904	1-533-233-11	HOLDER, FUSE (F904) (D665:E)		R256	1-249-429-11	CARBON	10K 5% 1/4W
FH954	1-533-233-11	HOLDER, FUSE (F904) (D665:E)					

The components identified by mark △ or dotted line with mark △ are critical for safety. Replace only with part number specified.

Ref. No.	Part No.	Description	Remark	Ref. No.	Part No.	Description	Remark
*****				Q402	8-729-922-37	TRANSISTOR 2SD2144S-UVW (D565:AEP, IT, G, UK/D665:AEP, UK, G)	
*	1-655-746-11	VIDEO-MAIN BOARD *****		Q403	8-729-141-30	TRANSISTOR 2SC3623A-LK (D565:AUS/D665:AUS, E, SP)	
		< CONNECTOR >		Q403	8-729-922-37	TRANSISTOR 2SD2144S-UVW (D565:AEP, IT, G, UK/D665:AEP, UK, G)	
CNS250	1-770-379-11	CONNECTOR, BOARD TO BOARD 6P		Q451	8-729-202-67	TRANSISTOR 2SK246-GR3	
CNS251	1-770-492-11	CONNECTOR, BOARD TO BOARD 7P		Q452	8-729-141-30	TRANSISTOR 2SC3623A-LK (D565:AUS/D665:AUS, E, SP)	
*****				Q452	8-729-922-37	TRANSISTOR 2SD2144S-UVW (D565:AEP, IT, G, UK/D665:AEP, UK, G)	
*	A-4377-525-A	VOL BOARD, COMPLETE *****		Q453	8-729-141-30	TRANSISTOR 2SC3623A-LK (D565:AUS/D665:AUS, E, SP)	
		< CAPACITOR >		Q453	8-729-922-37	TRANSISTOR 2SD2144S-UVW (D565:AEP, IT, G, UK/D665:AEP, UK, G)	
C420	1-162-207-31	CERAMIC 22PF 5% 50V		< RESISTOR >			
C425	1-126-096-11	ELECT 10uF 20% 35V		R425	1-249-428-11	CARBON 8.2K 5% 1/4W F	
C426	1-126-096-11	ELECT 10uF 20% 35V		R426	1-249-438-11	CARBON 56K 5% 1/4W	
C427	1-124-252-00	ELECT 0.33uF 20% 50V		R427	1-249-417-11	CARBON 1K 5% 1/4W F	
C428	1-130-489-00	MYLAR 0.033uF 5% 50V		R428	1-249-425-11	CARBON 4.7K 5% 1/4W F	
C429	1-164-070-11	CERAMIC 100PF 5% 50V		R429	1-249-415-11	CARBON 680 5% 1/4W F	
C430	1-126-301-11	ELECT 1uF 20% 50V		R430	1-249-437-11	CARBON 47K 5% 1/4W	
C431	1-126-301-11	ELECT 1uF 20% 50V		R431	1-249-423-11	CARBON 3.3K 5% 1/4W F	
C432	1-126-096-11	ELECT 10uF 20% 35V		R432	1-247-883-00	CARBON 150K 5% 1/4W	
C433	1-126-096-11	ELECT 10uF 20% 35V		R433	1-249-427-11	CARBON 6.8K 5% 1/4W F	
C470	1-162-207-31	CERAMIC 22PF 5% 50V		R434	1-249-412-11	CARBON 390 5% 1/4W F	
C475	1-126-096-11	ELECT 10uF 20% 35V		R436	1-249-441-11	CARBON 100K 5% 1/4W	
C476	1-126-096-11	ELECT 10uF 20% 35V		R438	1-249-441-11	CARBON 100K 5% 1/4W	
C477	1-124-252-00	ELECT 0.33uF 20% 50V		R441	1-249-441-11	CARBON 100K 5% 1/4W	
C478	1-130-489-00	MYLAR 0.033uF 5% 50V		R444	1-247-903-00	CARBON 1M 5% 1/4W	
C479	1-164-070-11	CERAMIC 100PF 5% 50V		R446	1-247-807-31	CARBON 100 5% 1/4W	
C492	1-124-464-11	ELECT 0.22uF 20% 50V		R464	1-247-903-00	CARBON 1M 5% 1/4W	
		< CONNECTOR >		R469	1-247-903-00	CARBON 1M 5% 1/4W	
CNP202	1-770-391-11	PIN, CONNECTOR (PC BOARD) 7P		R475	1-249-428-11	CARBON 8.2K 5% 1/4W F	
CNP401	1-770-390-11	PIN, CONNECTOR (PC BOARD) 6P		R476	1-249-438-11	CARBON 56K 5% 1/4W	
CNP403	1-770-405-11	CONNECTOR, BOARD TO BOARD 8P		R477	1-249-417-11	CARBON 1K 5% 1/4W F	
* CNS402	1-764-950-11	CONNECTOR, FFC(LIF(NON-ZIF))9P		R478	1-249-425-11	CARBON 4.7K 5% 1/4W F	
		< DIODE >		R480	1-249-437-11	CARBON 47K 5% 1/4W	
D421	8-719-815-85	DIODE 1S1585 (D565:AEP, IT, G, UK/D665:AEP, UK, G)		R481	1-249-423-11	CARBON 3.3K 5% 1/4W F	
D421	8-719-987-63	DIODE 1N4148M (D565:AUS/D665:AUS, E, SP)		R482	1-247-883-00	CARBON 150K 5% 1/4W	
		< IC >		R483	1-249-427-11	CARBON 6.8K 5% 1/4W F	
IC404	8-759-636-74	IC M5218AP-22		R484	1-249-412-11	CARBON 390 5% 1/4W F	
		< TRANSISTOR >		R491	1-249-441-11	CARBON 100K 5% 1/4W	
Q401	8-729-202-67	TRANSISTOR 2SK246-GR3		R492	1-247-903-00	CARBON 1M 5% 1/4W	
Q402	8-729-141-30	TRANSISTOR 2SC3623A-LK (D565:AUS/D665:AUS, E, SP)		R494	1-247-903-00	CARBON 1M 5% 1/4W	
				R496	1-247-807-31	CARBON 100 5% 1/4W	
				< VARIABLE RESISTOR >			
				RV404	1-241-816-11	RES, VAR, CARBON 100KX4 (VOLUME)	

STR-D565/D665

SONY®
SERVICE MANUAL

AEP Model
UK Model
Australian Model
STR-D565/D665
E Model
STR-D665

SUPPLEMENT-1

File this supplement with the service manual.

Subject : 1. CORRECTION
2. BOARD CHANGED

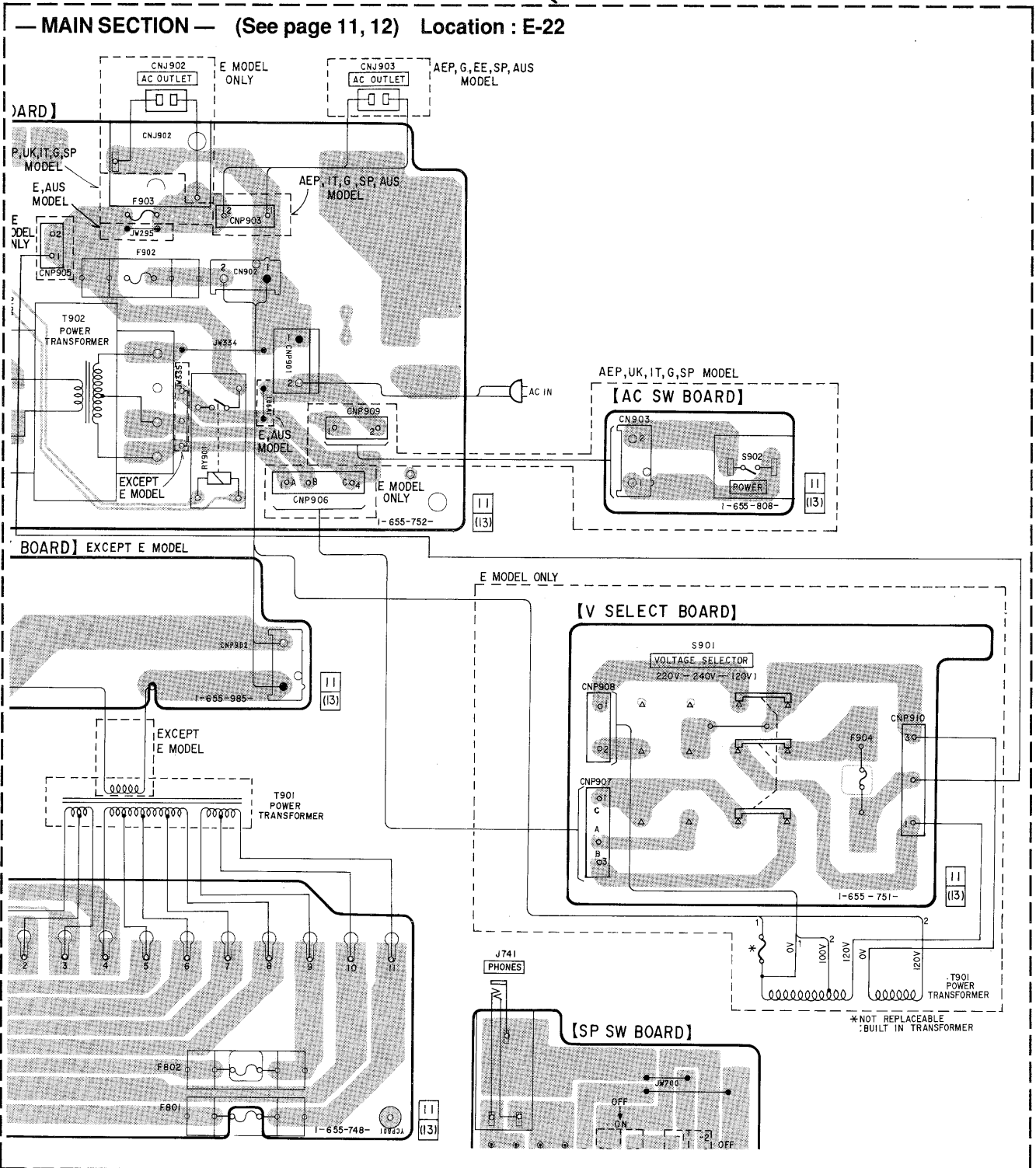
(ECN-TA503934)

1. CORRECTION

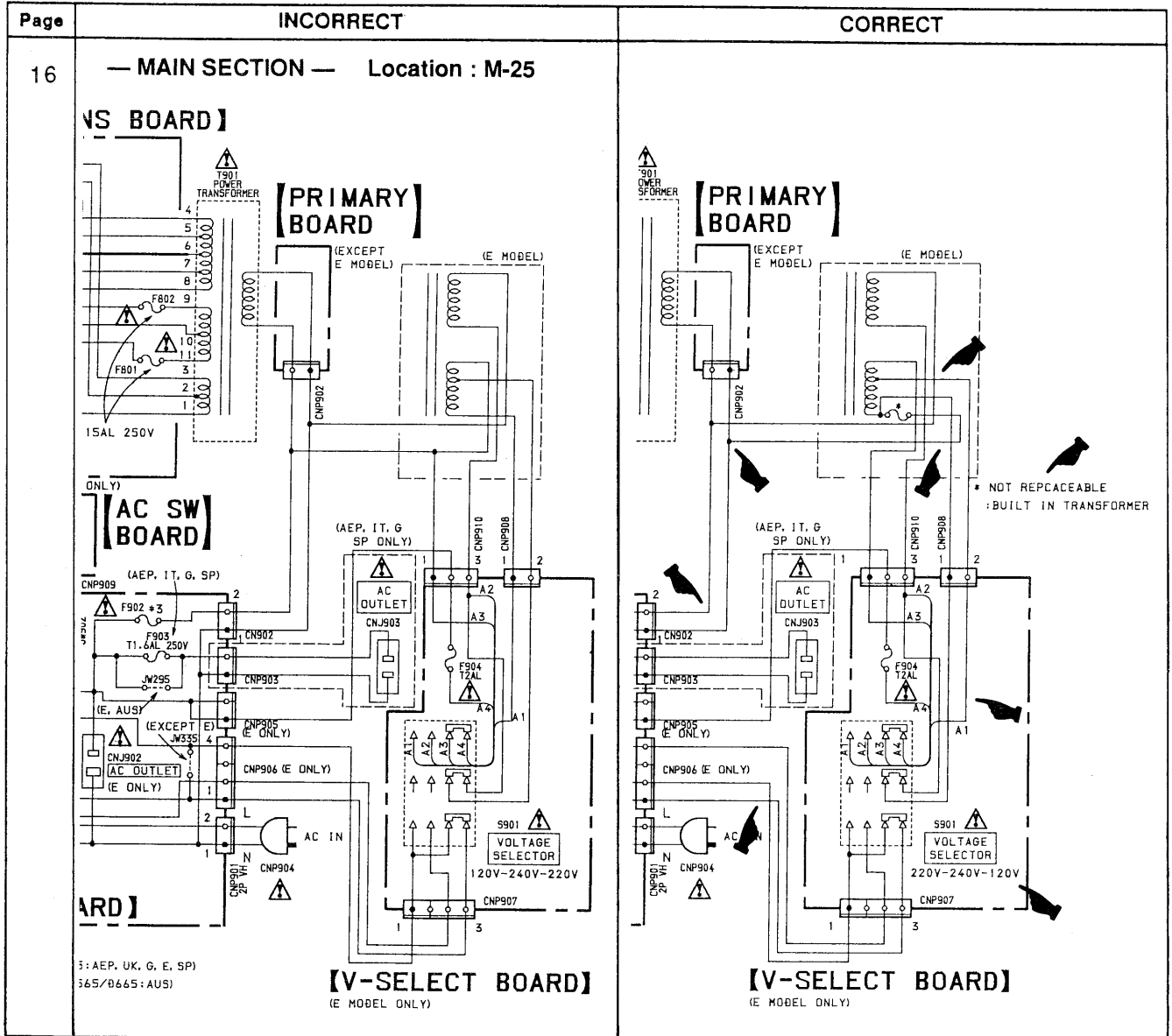
As there are some mistakes in the previous service manual, please correct the followings.

 : Indicates corrected portion

PRINTED WIRING BOARD



✶ : Indicates corrected portion
SCHEMATIC DIAGRAM

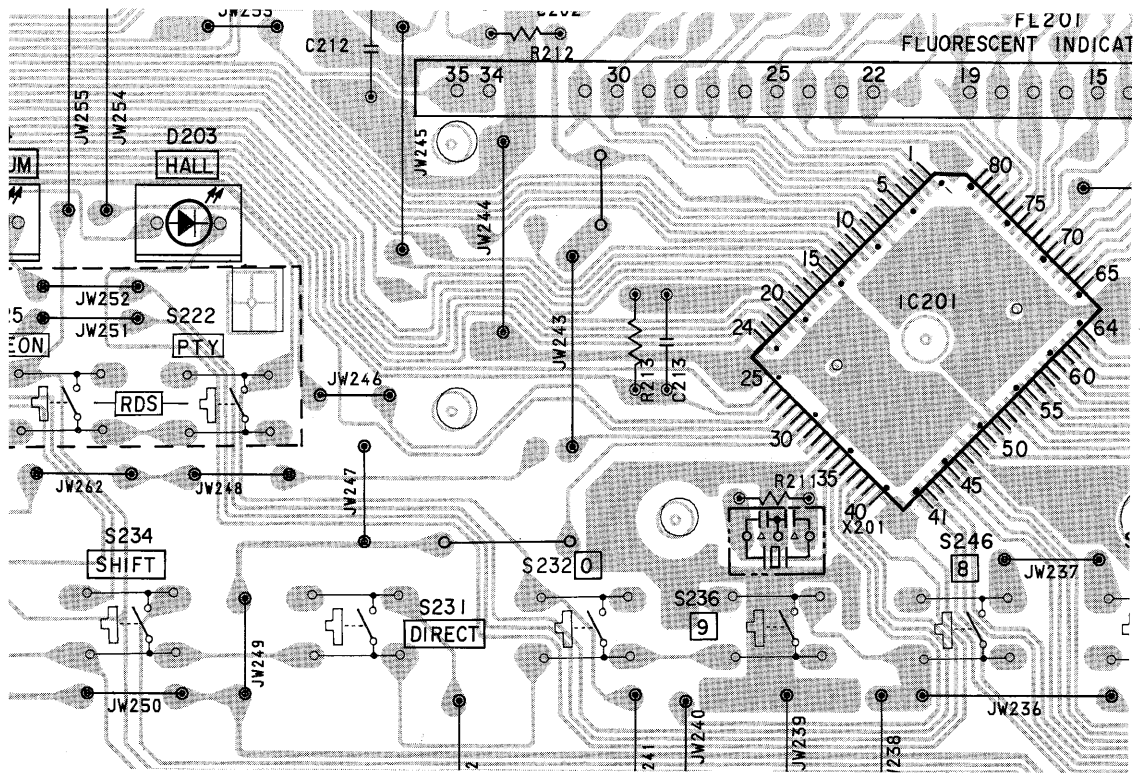


Page

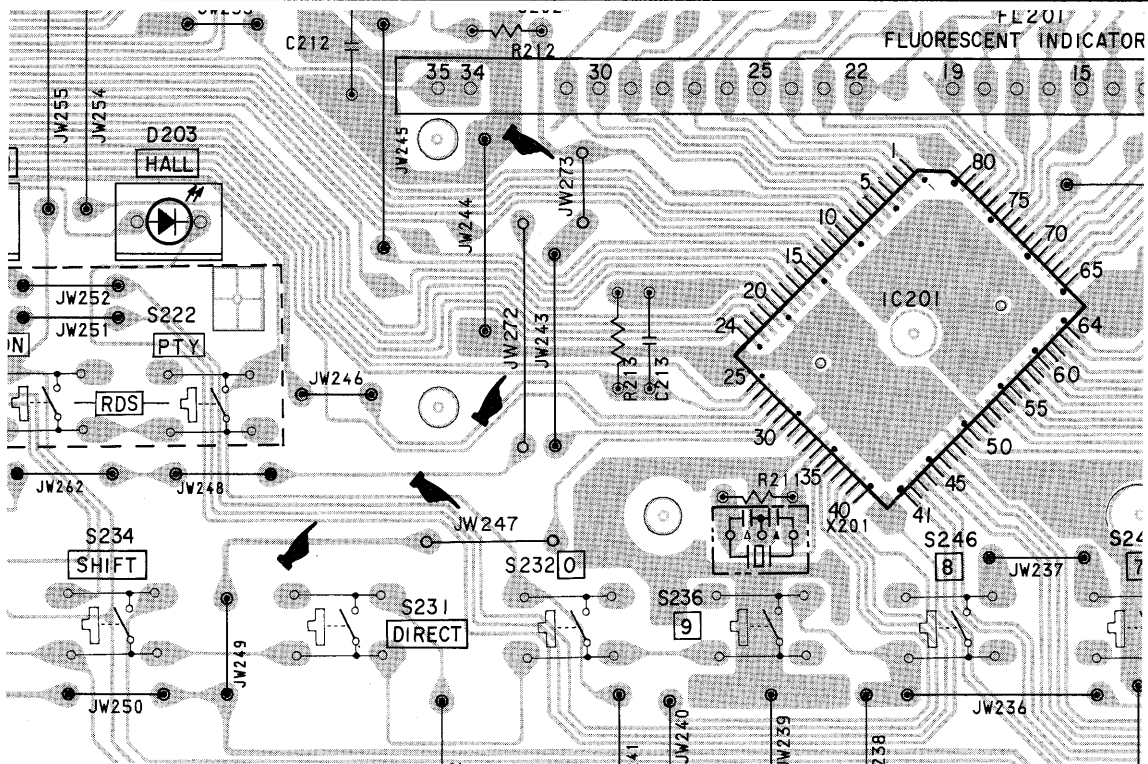
INCORRECT

19

[DISPLAY BOARD] Location : C-9



CORRECT



2. BOARD CHANGED

➤ : Indicates changed portion

PRINTED WIRING BOARD

